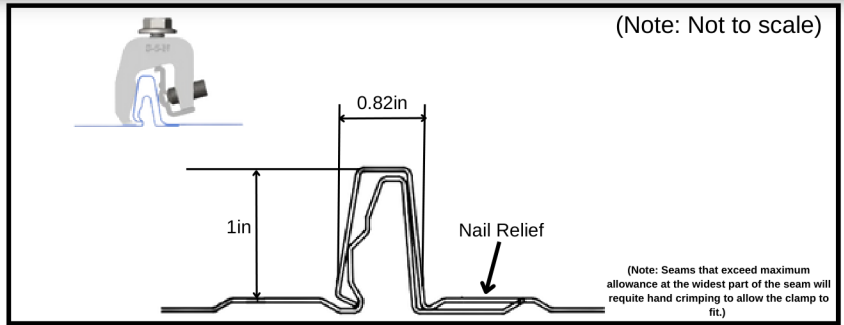
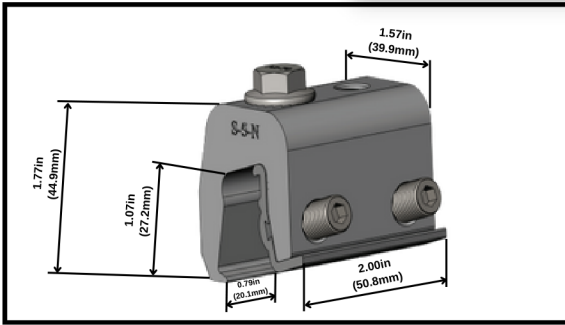


## S-5-N CLAMP



- ✓ Angled setscrews
- ✓ Easy Installation
- ✓ Best fit for wider nail strip profiles

The S-5-N is a structural aluminum attachment clamp, compatible with most common metal roofing materials (excluding copper). Each box also includes a bit tip for tightening setscrews using an electric screw gun. All included hardware is 300 series stainless steel. The S-5-N (standard) clamp is the best choice for snow retention and other heavy and load-critical applications.



## Installation Instructions

### Tools Needed

- Screw Gun\*
- T30 Torx Bit Tip (provided)
- Dial-Calibrated Torque Wrench

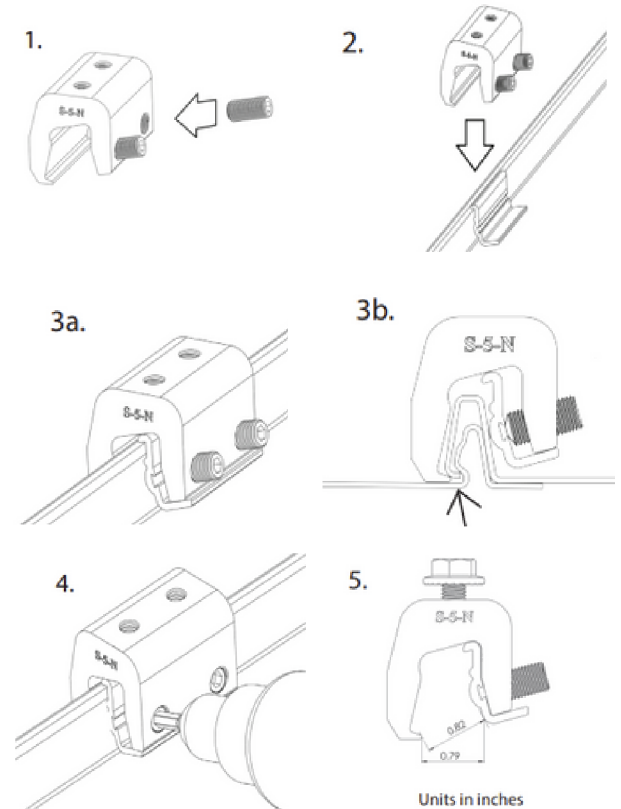
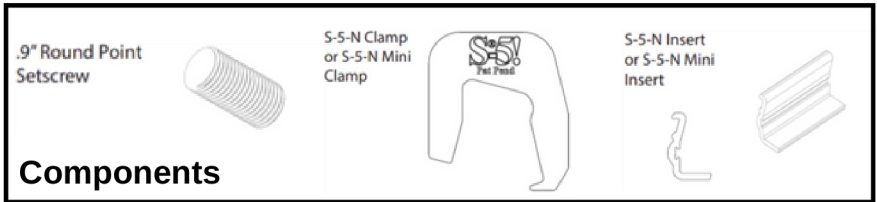
(For accurate tension values, do NOT use a clicking torque wrench).

### Instructions

1. Load the setscrew(s) into the clamp. **(Fig 1)**
2. Position clamp and insert at desired location along the seam as shown. **(Figs 2,3)** (Note: On some panel profiles it may be necessary to place the clamp onto the seam first and then slide the insert into it)
3. The clamp should be over the seam and insert as shown. **(Fig 3a)** Make sure the toe of the clamp engages the female part of the seam as shown. **(Fig 3b)**
4. Tighten the setscrew(s) using a screw gun\* and the included bit tip **(Fig 4)**. When relying on published load values, setscrew tension should be verified periodically using a dial-indicating calibrated torque wrench to ensure the tool is consistently achieving the recommended torque range **(Table 1)**.

Only if installing the Standard-sized Clamp:

- Setscrews should be tensioned and re-tensioned as the seam material compresses, (i.e. tighten the first setscrew, then the second; then repeat).



Units in inches

Specified Torque	Inch Pounds	Foot Pounds	Nm
22ga steel	160-180	13-15	18-20
24ga steel and all other metals	130-150	11-12.5	15-17

Table 1

Note: Seams that exceed maximum allowance of 0.82" at the widest part of the seam may require hand crimping to facilitate clamp fit. **(Fig 5)**

NOTE: S-5-N packages with a M8-1.25 X 16mm hex flange bolt included. S-5-N Mini does not package with a top bolt and may need to be purchased separately for certain applications. For critical attachment applications utilizing an M8-1.25 X 16 mm hex flange bolt, tighten the M8 bolt to 160 inch pounds (13 foot pounds). Any S-5! warranty and/or calculation may be void if hardware is used that was not furnished by S-5! directly or through one of their licensed distributors.