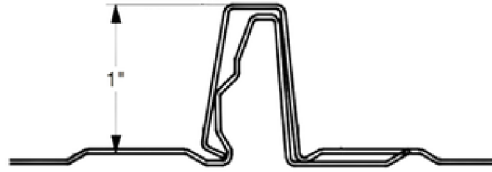
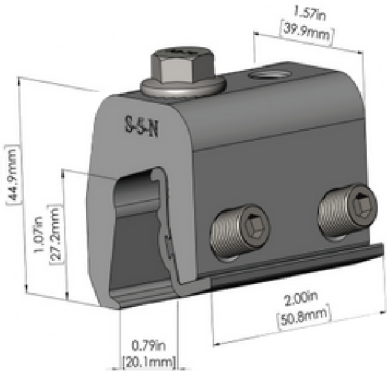
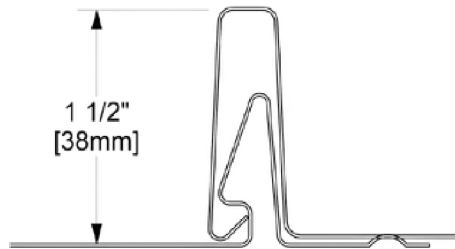
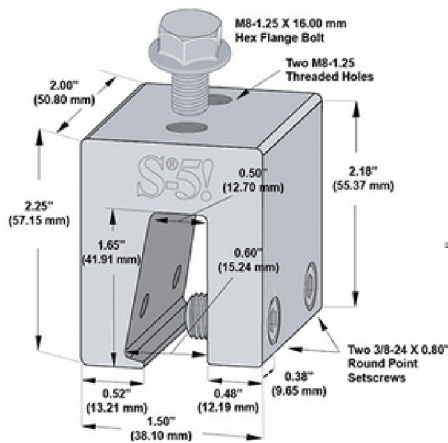


This system features a versatile bar-type for snow retention which utilizes a strip of the actual roof materials as an insert to provide a perfect color-match for the life of the roof.

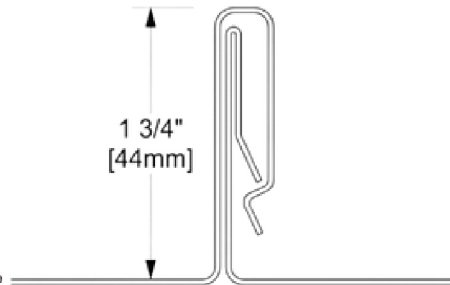
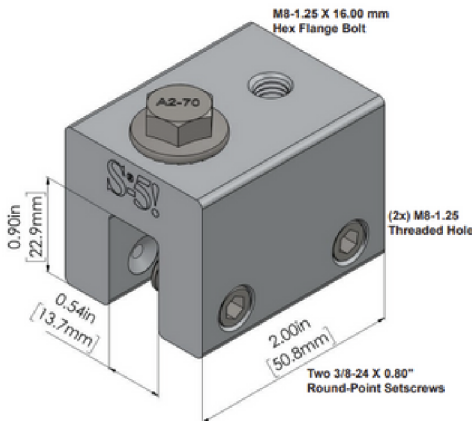
- No panel penetration
- Does not violate panels' thermal movement
- Unequaled holding strength
- S-5! attachment does not violate roof system warranties
- Will not damage the roof or finish
- ColorGuard uses the 2" strips of your roofing material so it will match the color of your roof for the entire life of the roof
- Manufactured from mill finished aircraft quality aluminum



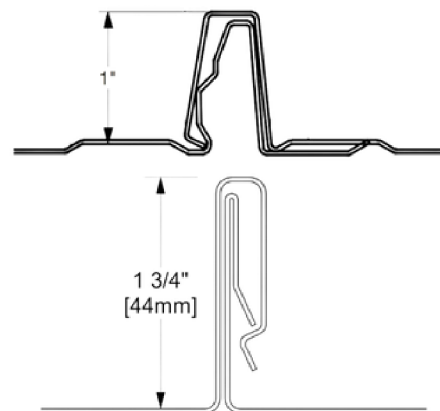
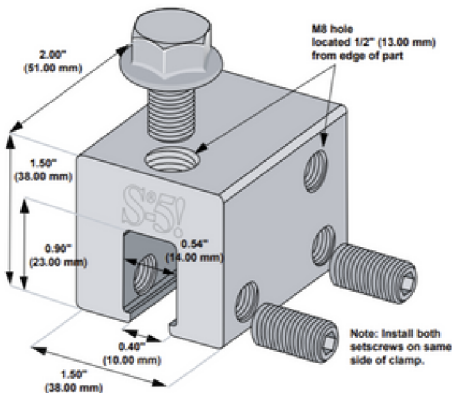
S-5-N Clamp: Designed for use on popular 1" nail strip metal roof profiles.



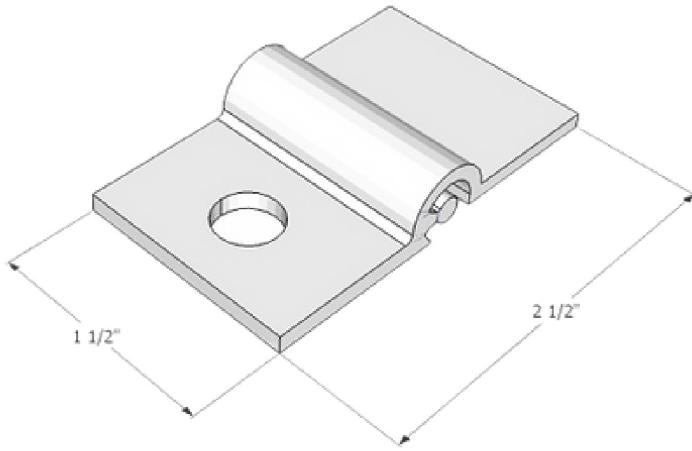
S-5-N-15 Clamp: Designed for use on popular 1.5" nail strip metal roof profiles.



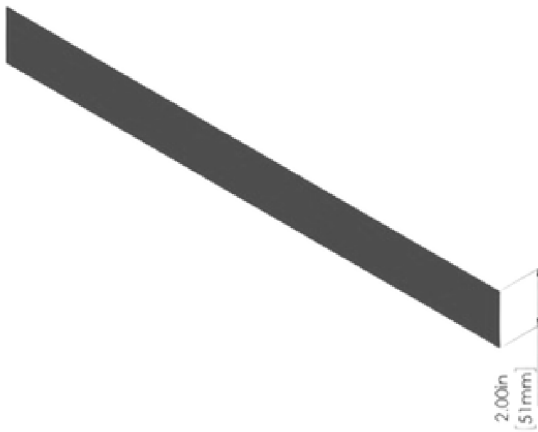
S-5-S Clamp: Extremely versatile and created for popular snap-together standing seam profiles.



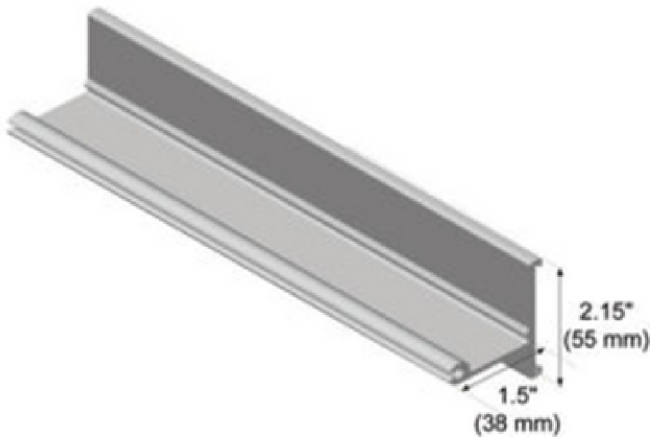
S-5-U Clamp: The most popular and versatile clamp. It will fit about 85% of the standing seam profiles manufactured in North America - including most structural and architectural profiles. It can be used on vertically oriented seams, and by rotating the clamp 90 degrees, it can also be used on most horizontal 2" seam profiles.



VersaClip: Available for purchase separately, VersaClip makes installation easy, as it simply slides on the ColorGuard crossmember. It can be used with all S-5! clamps (one per clamp).



Unpunched ColorGuard: The most versatile and easy to install, when used with the S-5! VersaClip. Unpunched does not need holes, as the VersaClip accommodates any seam spacing.



Color Strip: Not included, the color strip should be requested in 2" wide strips from the manufacturer of the roofing material in order to ensure a perfect color match for the life of the system.