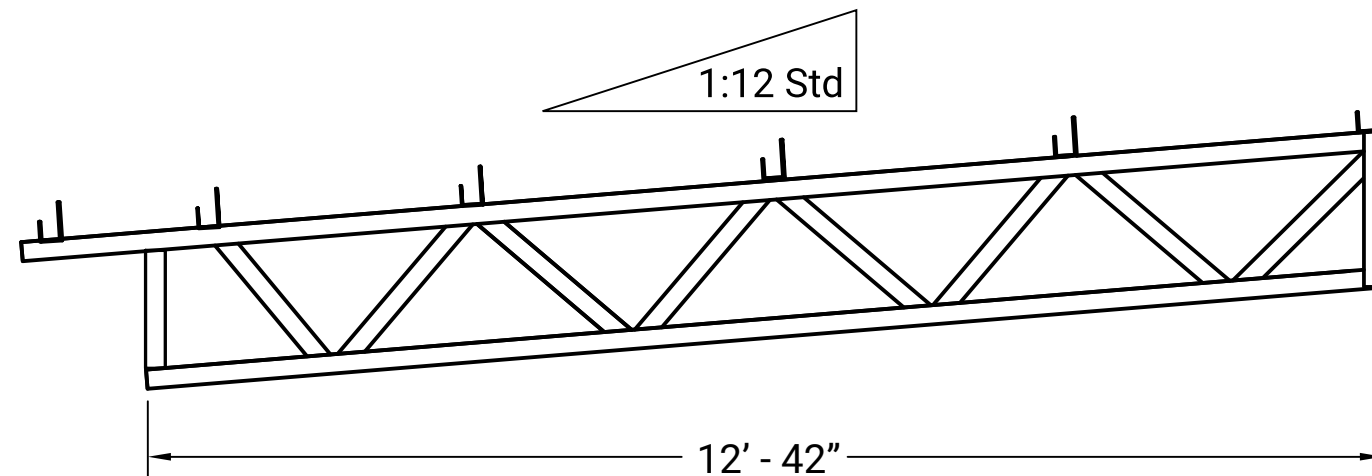

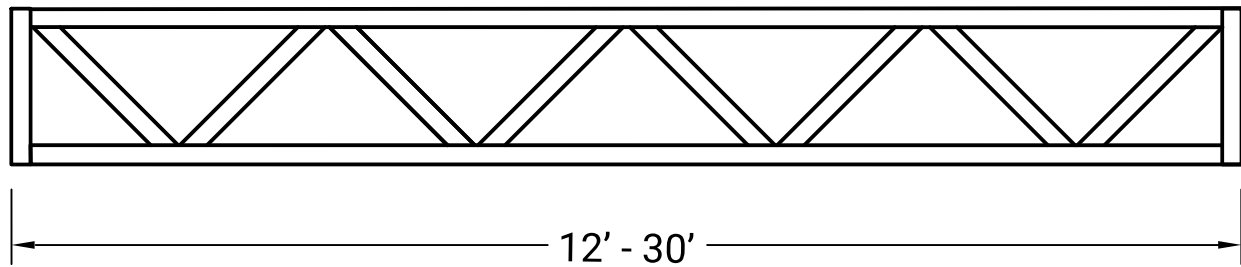


PROJECT			
American Pole Barns			
TITLE			
Gable Truss			
Angle Iron			
APPROVED AG USE ONLY	SIZE	CODE	DWG NO
CHECKED			APBTR
DRAWN BURCHETTE, M. 02/24/2020	SCALE n/a	WEIGHT verify	SHEET 1/1
			REV 1



	PROJECT			American Pole Barns
	TITLE			Lean-To Truss
APPROVED AG USE ONLY	SIZE	CODE	DWG NO	REV
CHECKED			APBTR	1
DRAWN BURCHETTE, M. 02/24/2020	SCALE n/a	WEIGHT verify	SHEET 1/1	



PROJECT <b>American Pole Barns</b>				
				TITLE <b>Header Truss</b>
Angle Iron				
APPROVED AG USE ONLY	SIZE	CODE	DWG NO APBTR	REV 1
CHECKED	SCALE n/a		WEIGHT verify	SHEET 1/1
DRAWN BURCHETTE, M. 02/24/2020				