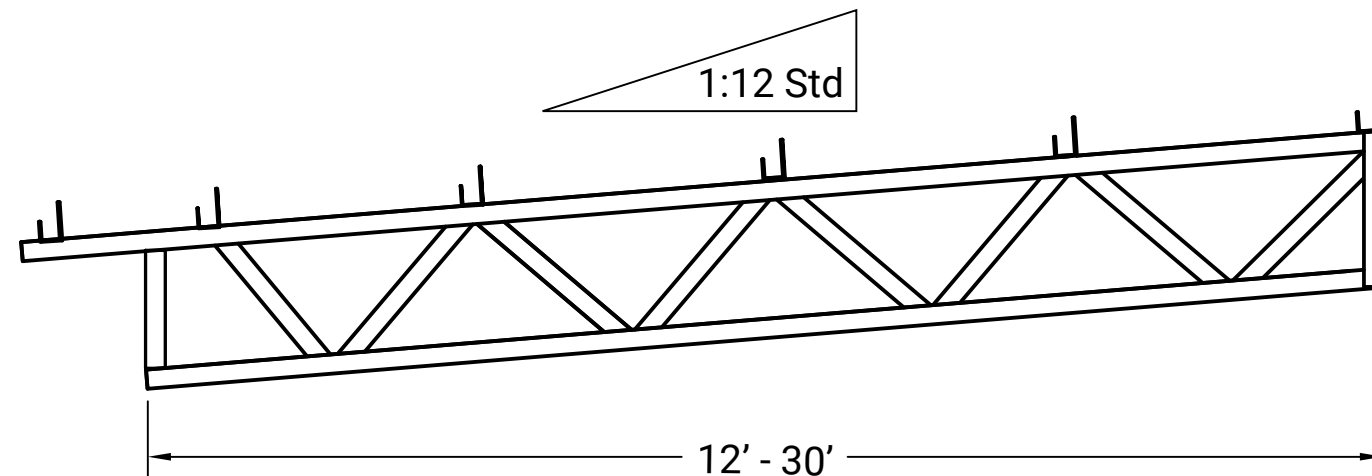

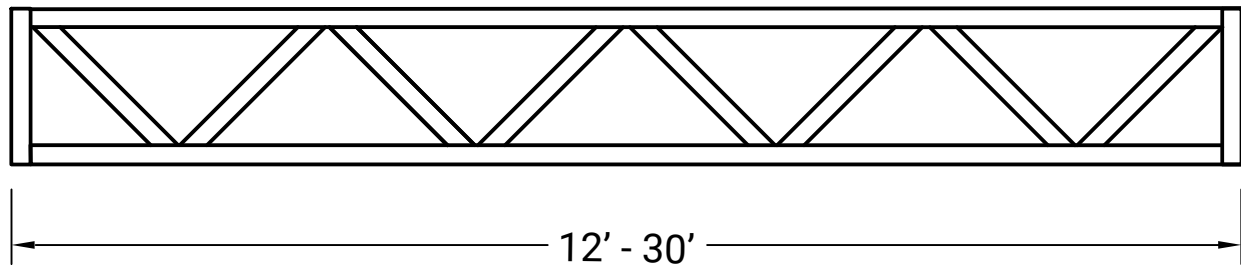


PROJECT			
American Pole Barns			
TITLE			
Gable Truss			
Angle Iron			
APPROVED AG USE ONLY	SIZE	CODE	DWG NO
CHECKED			APBTR
DRAWN BURCHETTE, M. 02/24/2020	SCALE n/a	WEIGHT verify	SHEET 1/1
			REV
			1



	PROJECT			American Pole Barns	
	TITLE			Lean-To Truss	
Angle Iron			SIZE	CODE	DWG NO
APPROVED AG USE ONLY					APBTR
CHECKED					REV
DRAWN BURCHETTE, M. 02/24/2020	SCALE n/a	WEIGHT verify			1
					SHEET 1/1



PROJECT American Pole Barns				
				TITLE Header Truss
Angle Iron				
APPROVED AG USE ONLY	SIZE	CODE	DWG NO APBTR	REV 1
CHECKED	SCALE n/a		WEIGHT verify	SHEET 1/1
DRAWN BURCHETTE, M. 02/24/2020				