



5V-Crimp, 2.5" Corrugated, 1.25" Corrugated Install Guide

800-728-4010
bestbuymetals.com

IMPORTANT NOTICE

This manual contains suggestions and guidelines on how to install panels and trim details. The contents of this manual include the guidelines that were in effect at the time this publication was originally printed. In an effort to keep pace with the ever-changing code environment, we retain the right to change specifications and / or designs at any time without incurring any obligations. To insure you have the latest information available, please inquire or visit our web site. Application and design details are for illustrative purposes only and may not be appropriate for all environmental conditions and/or building designs. Projects should be engineered and installed to conform to applicable building codes, regulations, and accepted industry practices.

TABLE OF CONTENTS

Introduction, Design, & Testing	4
Panel Installation	5-8
Accessories.....	9
Trim Dimensions	10
Trim Assemblies	
Fascia	11
Mini Eave	12
Eave Trim	13
Rake	14
Preformed Valley	15
Transition	16
Gambrel	17
Hip	18
Ridge	19
Vented Ridge	20
High Side Peak	21
Side Wall	22
End Wall	23
Valley Lapping	24
Valley Cutting	25
Pipe Flashing	26
Curb Detail	27-29
Panel Endlap Detail	30

Introduction

5V-Crimp, 2.5" Corrugated, and 1.25" Corrugated are through fastened roof and wall systems designed for ease of installation, strength, and longevity. All are available in a range of paint colors in both 26 and 29 gauge steel. They are also available in unpainted Galvalume® and galvanized. Our paint system carries a 40 year warranty and Galvalume® a 25 year warranty.

5V-Crimp

PROFILE

0.5" c 24" 12"

FASTENING PATTERN

Panel Fastener

ALTERNATE FASTENING PATTERN

Field of Panel

Panel Fastener

Ends of Panel

Panel Fastener

2.5" Corrugated

PROFILE

0.5" c 24" Wall Coverage 21.3" Roof Coverage 2.67"

ROOF - ATTACHMENT DETAILS

Panel Fastener Side Lap Fastener

ROOF - FASTENING PATTERN

Ends of Panel

Side Lap Fastener Panel Fastener

Field of Panel

Side Lap Fastener Panel Fastener

WALL - ATTACHMENT DETAILS

Panel Fastener

WALL - FASTENING PATTERN

Ends and Field of Panel

Panel Fastener

1.25" Corrugated

PROFILE

0.25" c 24" 1.25" 12"

ATTACHMENT DETAIL

Side Lap Fastener Panel Fastener

FASTENING PATTERN

Typical Screw Fastening Pattern

Panel Installation Guide

Storage

If metal is not to be installed immediately, store inside in a well ventilated, dry location. Condensation or other moisture can form between the sheets during storage causing water stains or white rust which detracts from the appearance of the product and may affect the product's useful life. Trapped moisture between sheets of painted metal can cause white rust to form underneath the paint. This can cause the paint to flake off the panel immediately or several years later. To prevent white rust and staining, break the shipping bands on the material. Store the material on end or on an incline of at least 8" with a supporting board underneath to prevent sagging. Fan the sheets slightly at the bottom to allow for air circulation. Keep the sheets off of the ground with an insulator such as wood. Any outdoor storage is at the customer's own risk. If outdoor storage cannot be avoided, protect the metal using a canvas cover or waterproof paper. Never cover the metal with plastic as this will cause condensation to form.

General Installation Information

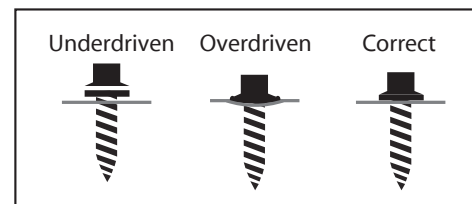
Insure that the structure is square and true before beginning panel installation. If the structure is not square, the panels will not properly seal at the side laps. Green or damp lumber is not recommended. Moisture released from the damp lumber may damage the metal panels. Remove any loose metal shavings left on roof surface immediately to prevent corrosion. Keep roof free of debris that could trap moisture on the metal, causing corrosion. The minimum pitch for roofing applications is 3:12.

Safety Precautions

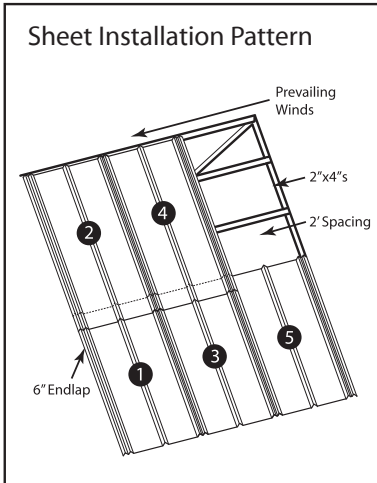
Always wear heavy gloves when working with steel panels to avoid cuts from sharp edges. When power cutting or drilling steel panels, always wear safety glasses to prevent eye injury from flying metal fragments. If you must walk on a metal roof, take great care. Metal panels can become slippery, so always wear shoes with non-slip soles. Avoid working on metal roofs during wet conditions when the panels can become extremely slippery. Walking or standing on a metal roof which does not have a plywood or other deck beneath it is not recommended. However, if you must do so, always walk on the purlins, never between.

Fastening

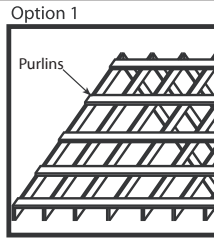
If you wish to pre-drill fastener holes, use a cover sheet to prevent hot metal shavings from sticking to panels. It is recommended that you cut panels upside down using a nibbler. For best results, use #14 x 7/8" Lap Screws at panel overlaps. For installation into a steel frame, use #12 x 1" (minimum) Self-Drilling Screws. For installation into a wood frame, use #10 x 1" (minimum) Wood Screws.



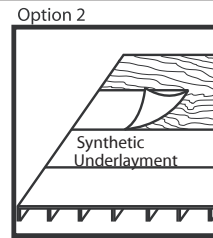
Pattern



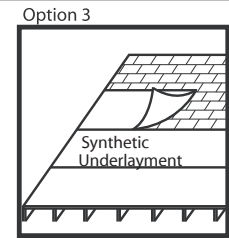
Installation Options



- Install Metal Directly to Wood Frame
- Use Maximum 2' Purlin Spacing
 - Install Metal
- *DO NOT USE THIS OPTION FOR HEATED SPACES
- *OIL CANNING/RIPPLING MORE COMMON OVER OPEN FRAME



- Install Metal on Solid Deck
- Lay Plywood Deck
 - Apply Synthetic Underlayment or other Moisture Barrier Protection
 - Install Metal



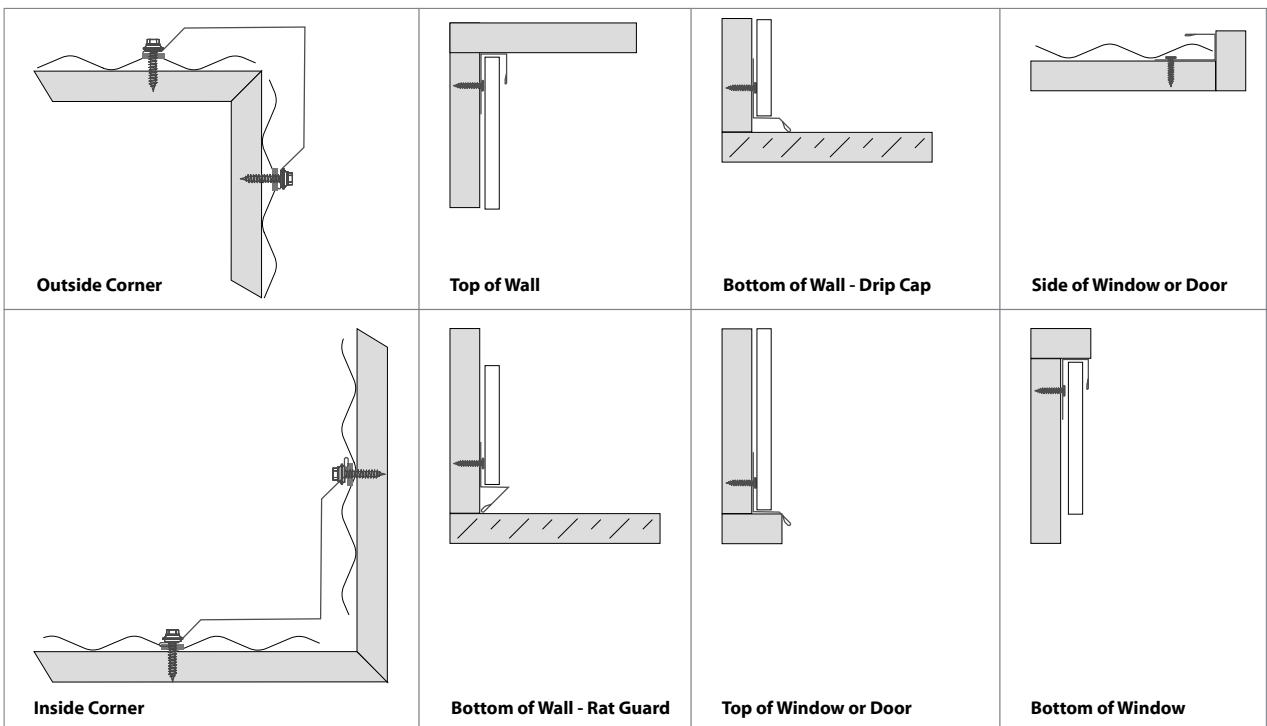
- Install Metal Over Existing Shingles
- Apply Synthetic Underlayment or other Moisture Barrier Protection
 - Install Metal

Allow an overhang of 2" at the eave to provide for a drip edge. Use closure at eave to prevent insect or bird infestation at openings. To protect against uplifting winds and to provide a finished appearance, apply rake trim or other standard gable trim. Apply fasteners every 6"-10". Seal off ridge and panel using closure strip. Use of tube or tape sealant is recommended at side laps, especially for more shallow roofs. Apply the tube or tape sealant as shown in Figure 2 (front) at all lap ribs.

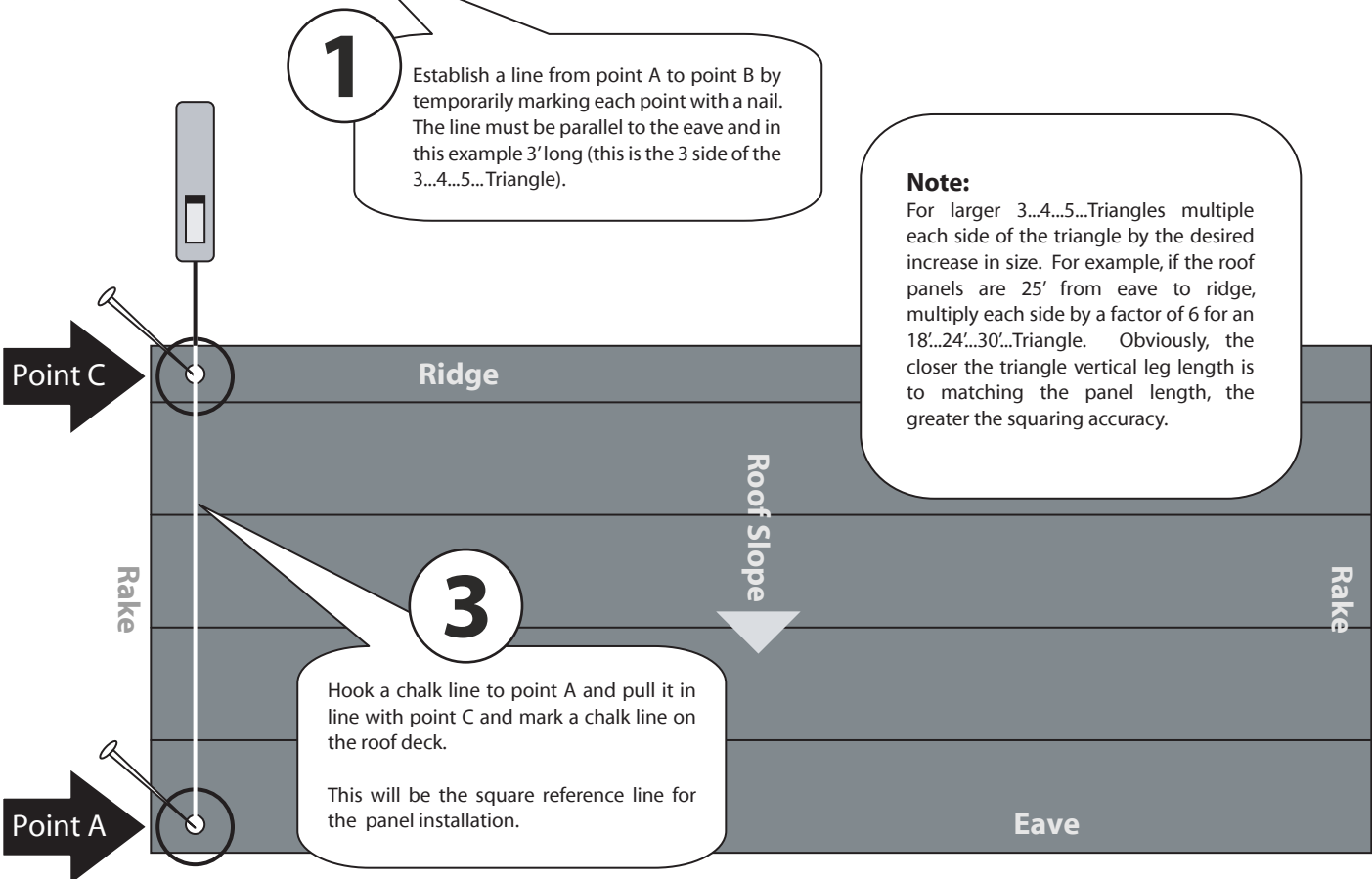
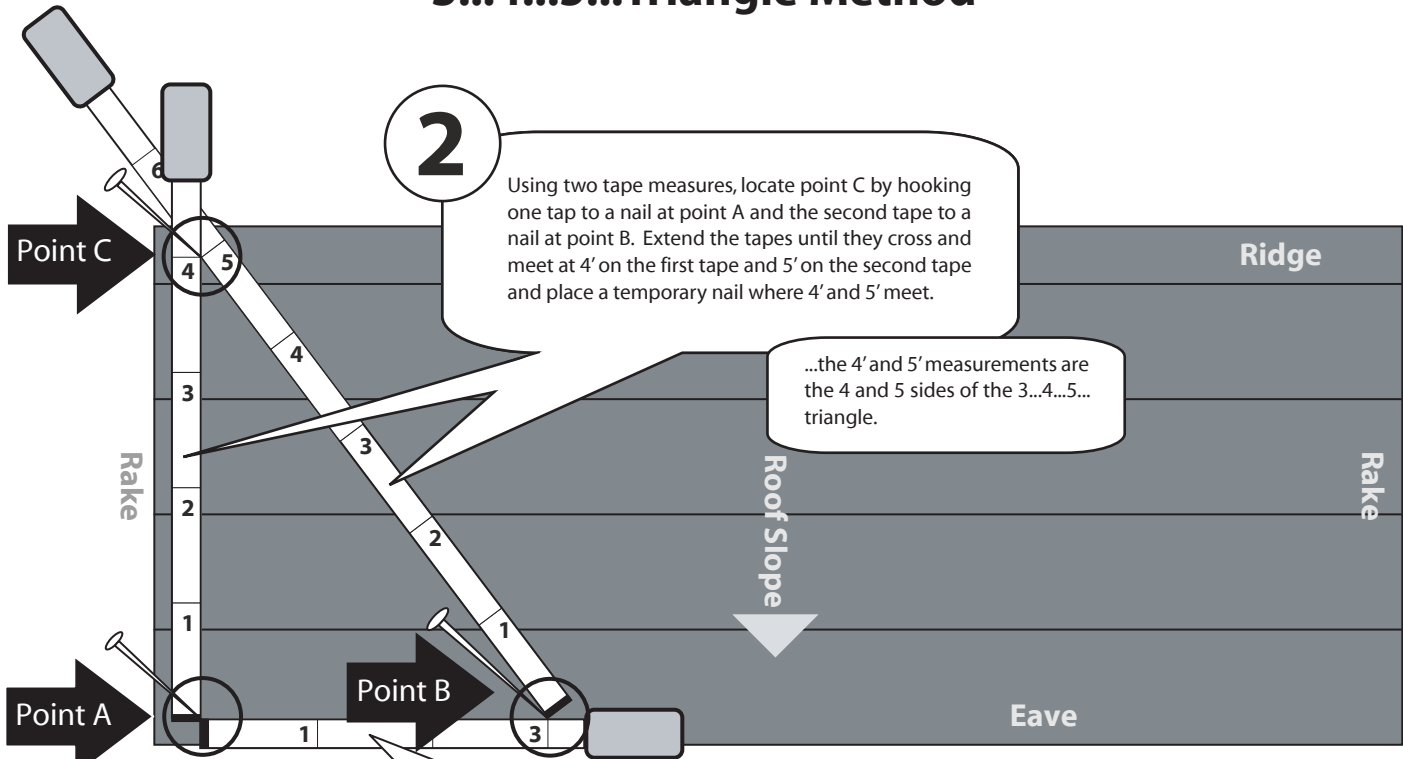
Roofing & Siding

For best results, start siding at door, window, or other opening in the wall. Use corner trim or other standard trim for strong, neat edges. Slopes of less than 3" on 12" are not recommended. For slopes under 4" on 12", field applied seam sealant is recommended. For slopes of 3" on 12" or greater, end lap panels 6". Do not put fasteners in the lap if panels are over 35' long. Side laps should face away from the prevailing direction of driving rain. Lay the first sheet along the eave at the down-wind side of the roof. Install sheets in the sequence shown above, always end lapping the upper panel on the top of the lower panel.

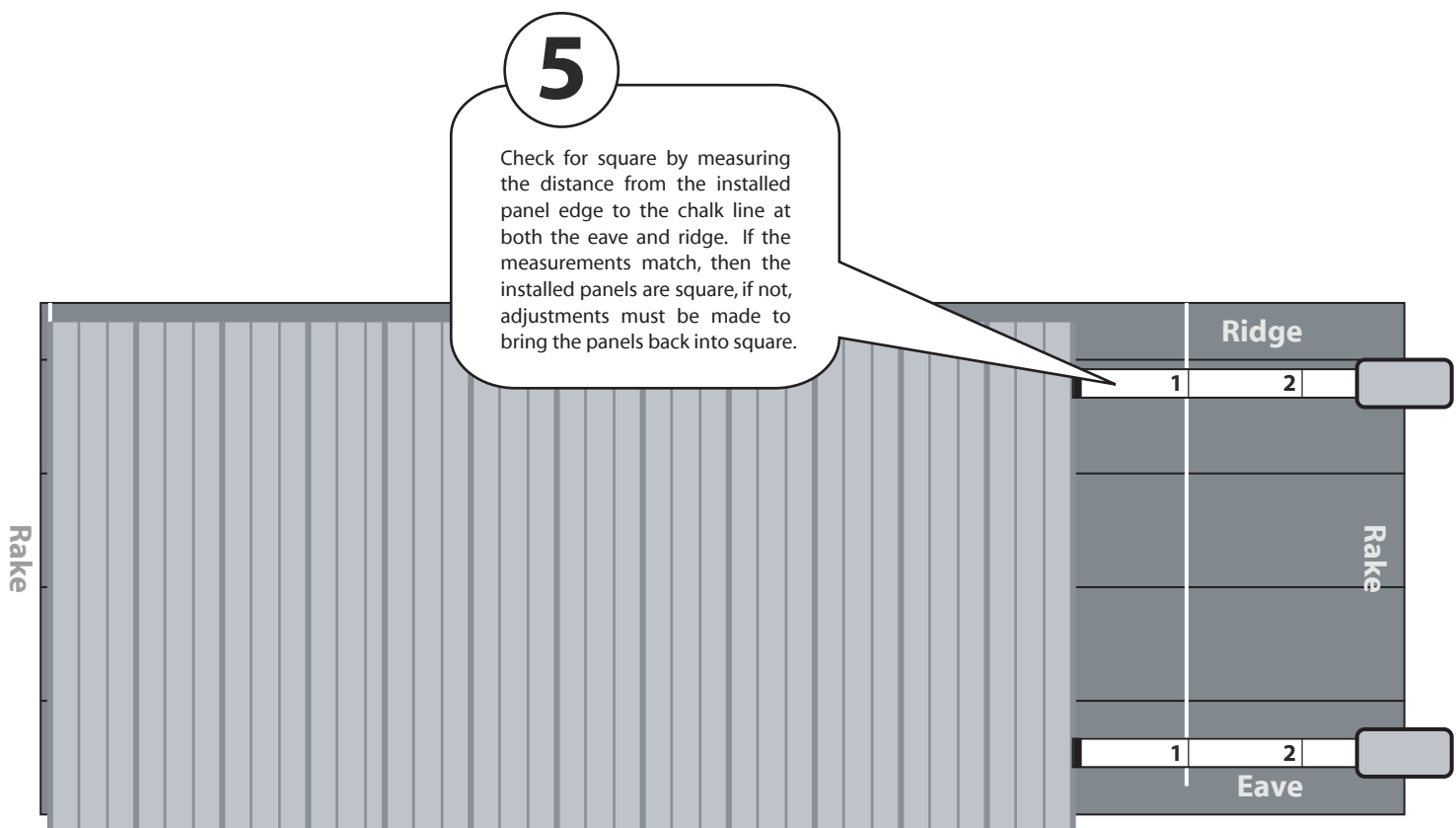
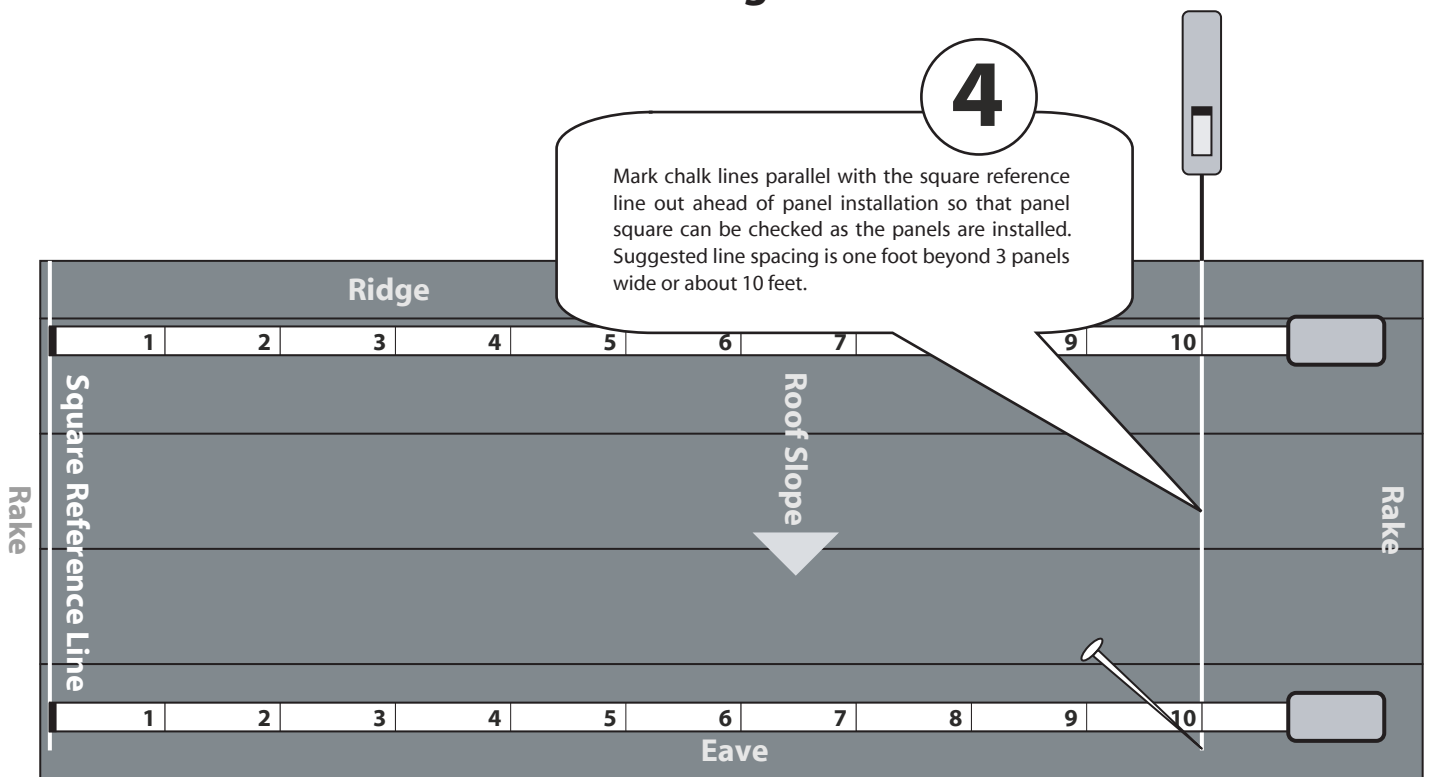
Siding Trim Details



3...4...5...Triangle Method



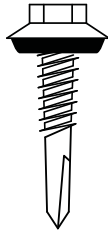
3...4...5...Triangle Method



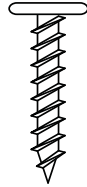
Accessories



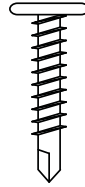
1", 1-1/2", 2", 2-1/2"
Hex Head Wood Screw
Metal-to-Wood



1", 1.25", 1.5"
Hex Head Self Driller
Metal-to-Metal



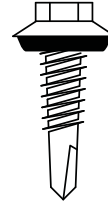
1", 1.5", 2"
Pancake Head
Wood Screw



1", 1.5", 2"
Pancake Head
Self Driller



Pop Rivet (Stainless)
(1/8" x 3/16")



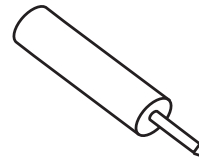
**#7/8" Hex Head
Lap Stitch Screw**
Metal-to-Metal



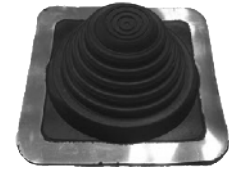
Profile Vent Ridge Vent
Depth varies x 3" x 25' (not available for
1.25" Corrugated)



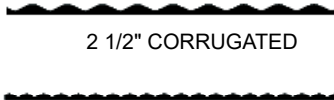
Flex-O-Vent Ridge Vent Material
1.5" x 3" x 10'



Tube Sealant



Pipe Boot
(Various sizes, heat treated &
retro fit also available)



2 1/2" CORRUGATED



1 1/4" CORRUGATED

Corrugated Closure Strip
Works for inside/outside



Butyl Tape
(3/8" x 3/32" x 45')



Double Bead Butyl Tape
(7/8" x 3/16" x 40' or 25'
depending on plant)



Touch Up Paint



5V-Crimp Outside Closure Strip



5V-Crimp Inside Closure Strip



Emseal Expanding Hip/Valley Closure
1" x 1" x 19' 8"



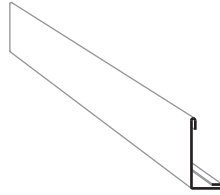
**Synthetic Roof
Underlayment**

Typical Trim Profiles (size/design vary by plant)

Ridge 	Rake 	Eave 	Valley
Endwall 	Sidewall 	Pitch Break 	Gambrel
High Side Peak 	Fascia / Angle 	Outside Corner 	Inside Corner
J-Channel 	Rat Guard 	Drip Cap 	Flat Sheet

Fascia

Numbers indicate suggested trim assembly sequence.



Roof Substrate

Install the roof substrate according to local building code requirements.

Moisture Barrier

Install moisture barrier according to the manufacturer's recommended procedure and in compliance with local building code requirements.

Fascia Trim

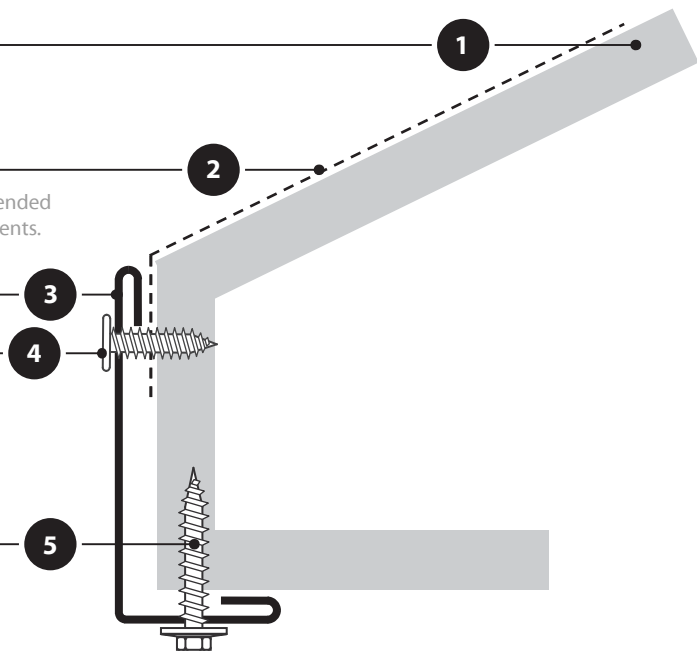
Install the Fascia trim and butt ends.

Trim Pancake Screw

Fasten trim with Pancake Screws 2' apart along the length of the trim.

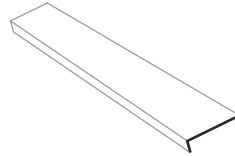
Trim Wood Screw

Fasten trim with Wood Screws spaced 2' apart along the length of the trim.



Mini Eave

Numbers indicate suggested trim assembly sequence.



Moisture Barrier

Install moisture barrier according to the manufacturer's recommended procedure and in compliance with local building code requirements.

Trim Pancake Screw

Fasten trim with Pancake Screws spaced 12" apart along the length of the trim.

Optional Butyl Tape

Install continuous along Eave at 1" up from face.

Mini Trim

Install the Mini Eave and lap ends.

Roof Substrate

Install the roof substrate according to local building code requirements.

Panel

Install the panel and overhang the panel a minimum of 1" beyond the Mini Eave edge. See panel squaring method in this manual.

Optional Tube Sealant

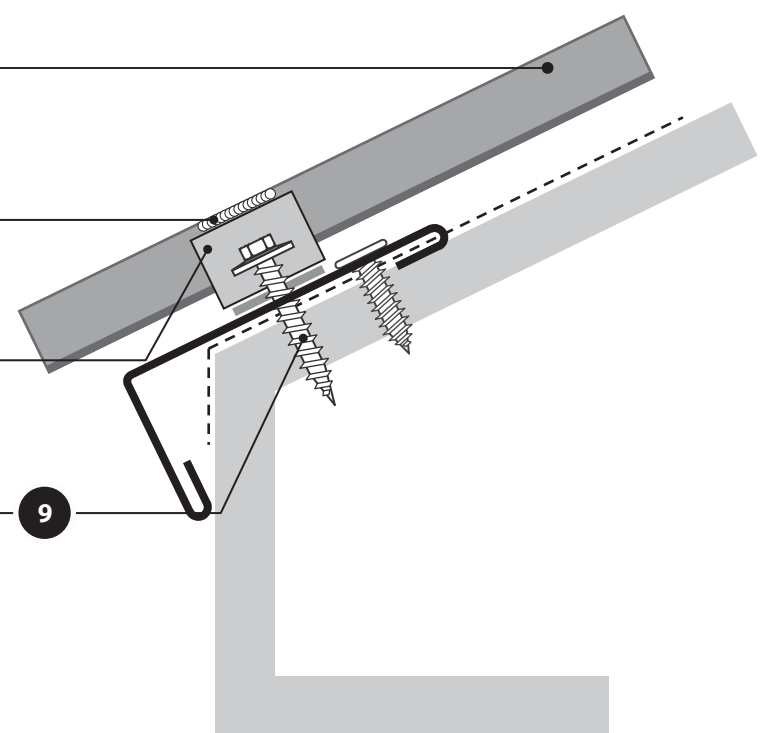
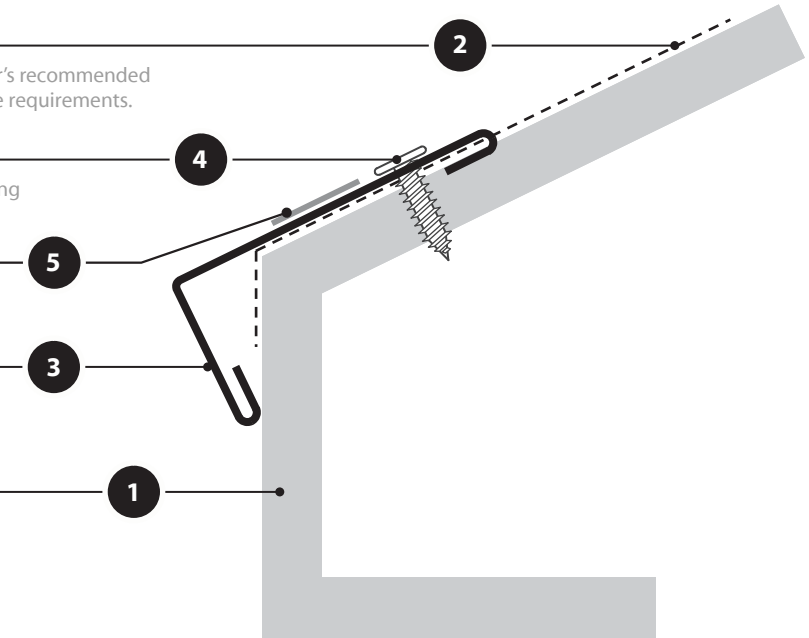
Apply optional Tube Sealant to the top side of the Inside Closure.

Inside Closure

Place the Inside Closure over the top of the optional Butyl Tape.

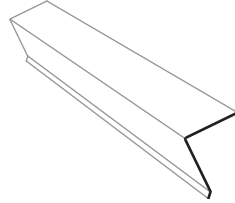
Panel Wood Screw

Fasten wood screw at the Inside Closure on each side of major ribs.



Eave Edge

Numbers indicate suggested trim assembly sequence.



Moisture Barrier

Install moisture barrier according to the manufacturer's recommended procedure and in compliance with local building code requirements.

Trim Pancake Screw

Fasten trim with Pancake Screws spaced 12" apart along the length of the trim.

Optional Butyl Tape

Install continuous along eave at 1" up from face.

Eave Trim

Install the Eave Trim and lap ends.

Roof Substrate

Install the roof substrate according to local building code requirements.

Panel

Install the panel and overhang the panel a minimum of 1" beyond the Eave Trim edge. See panel squaring method in this manual.

Optional Tube Sealant

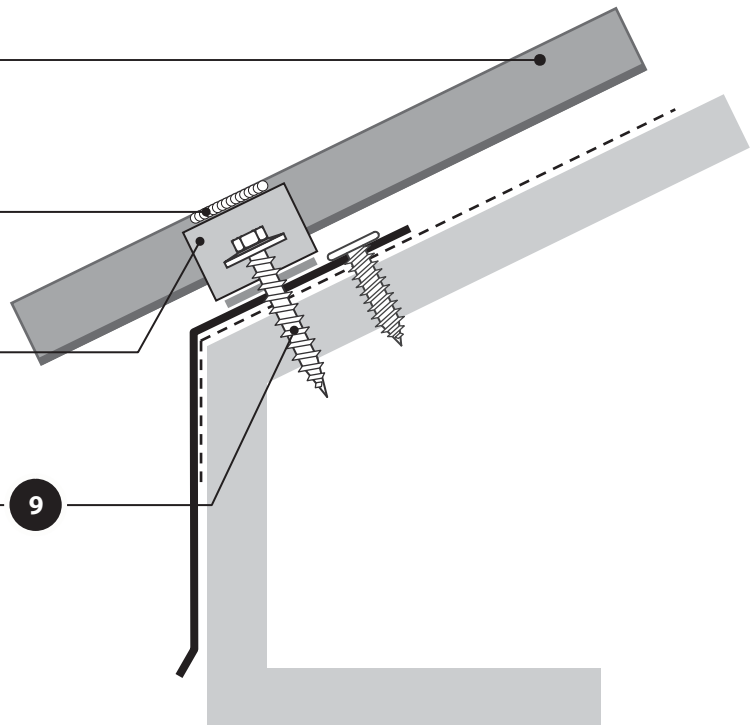
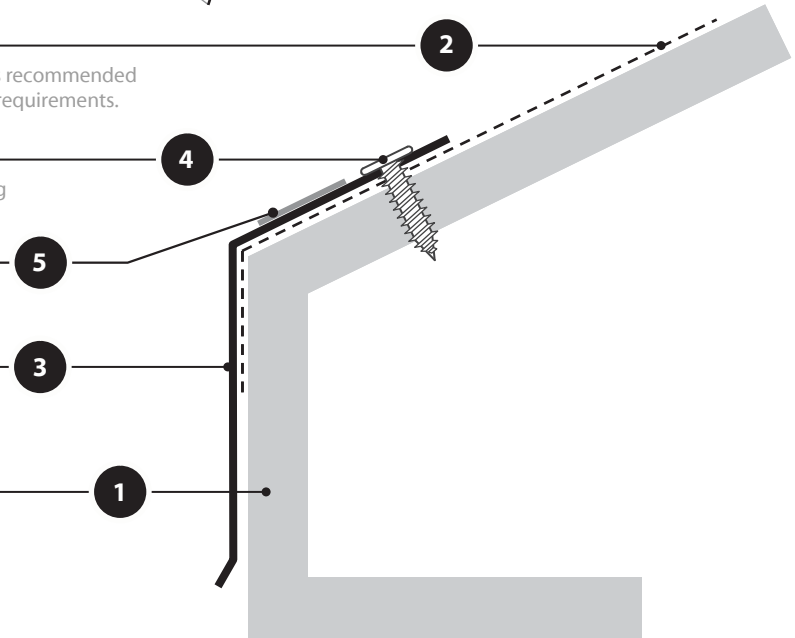
Apply optional Tube Sealant to the top side of the Inside Closure.

Inside Closure

Place the Inside Closure over the top of the optional Butyl Tape.

Panel Wood Screw

Fasten wood screw at the Inside Closure on each side of major ribs.



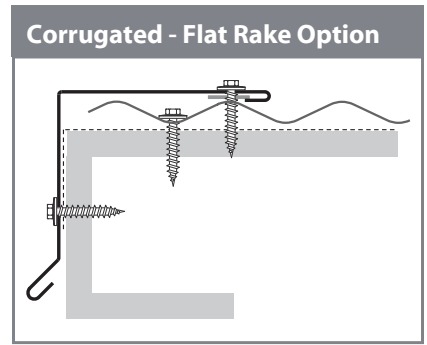
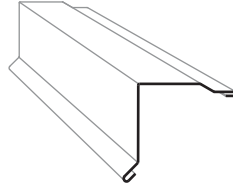
5V-Crimp, 2.5" Corrugated, 1.25" Corrugated - Install Guide

Page 14 of 31



Rake

Numbers indicate suggested trim assembly sequence.



Butyl Tape

Apply Butyl Tape along the length of the panel.

Panel

Install the panel and overhang the panel a minimum of 1" beyond the Eave Trim edge. See panel squaring method in this manual.

Panel Wood Screw

Fasten panels to the roof substrate using Wood Screws spaced according to the recommended fastening pattern and frequency, and in compliance with local building codes.

Moisture Barrier

Install moisture barrier according to the manufacturer's recommended procedure and in compliance with local building code requirements.

Roof Substrate

Install the roof substrate according to local building code requirements.

Rake Trim

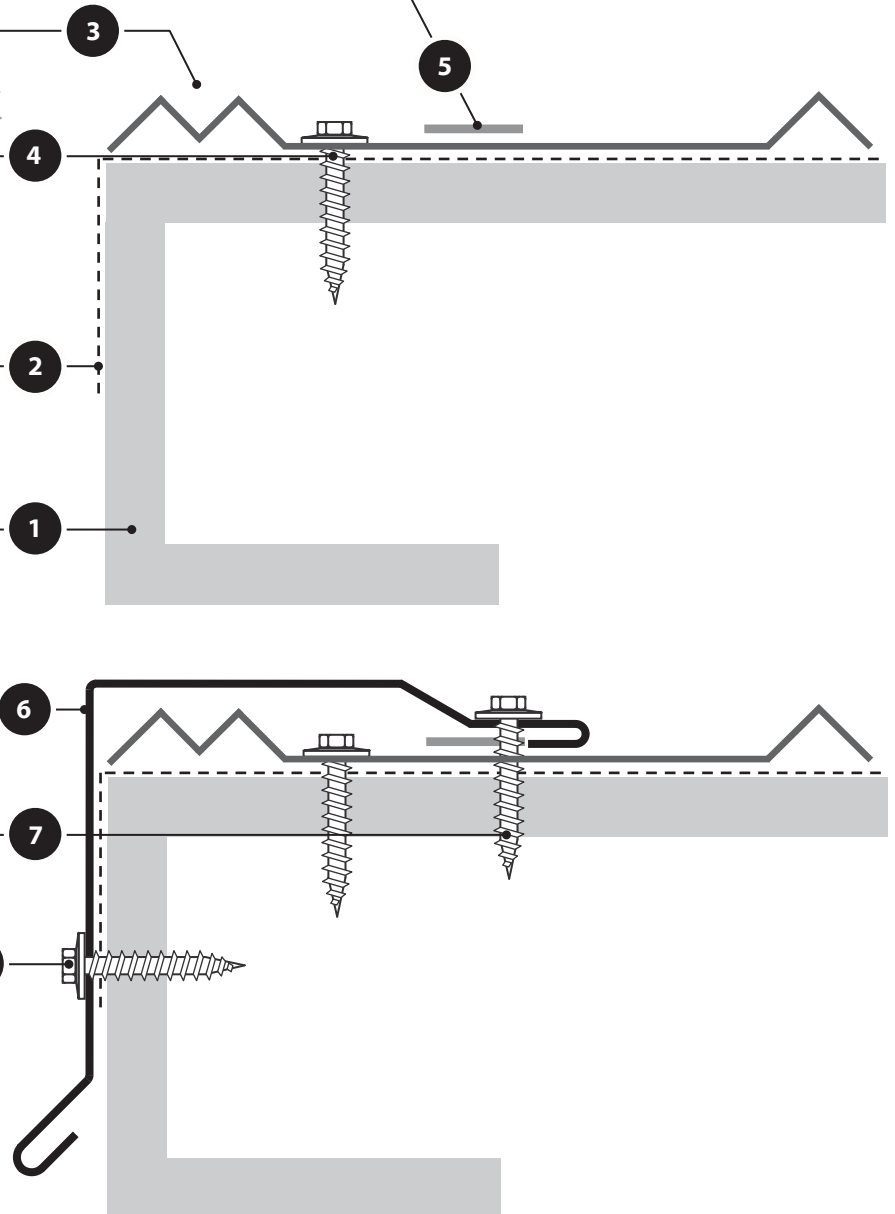
Install the Rake trim and overlap the ends 4". See lapping diagram in this manual.

Trim Wood Screw

Fasten trim with Wood Screws spaced 12" apart along the length of the trim.

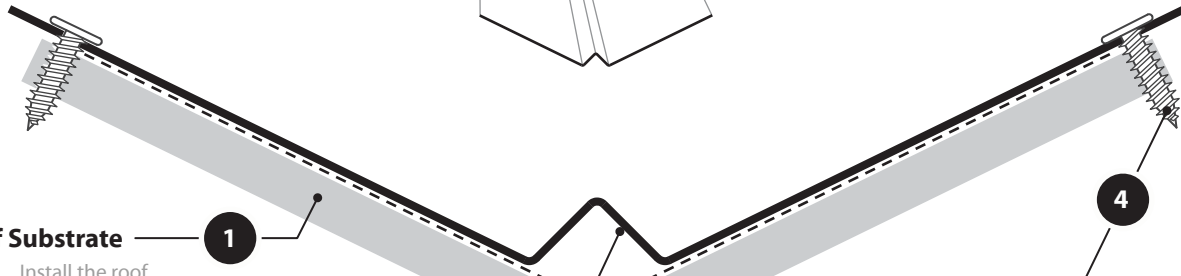
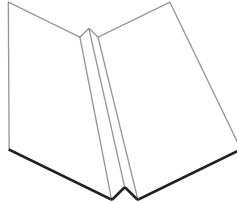
Trim Wood Screw

Fasten trim with Wood Screws spaced 12" apart along the length of the trim.



Preformed Valley

Numbers indicate suggested trim assembly sequence.

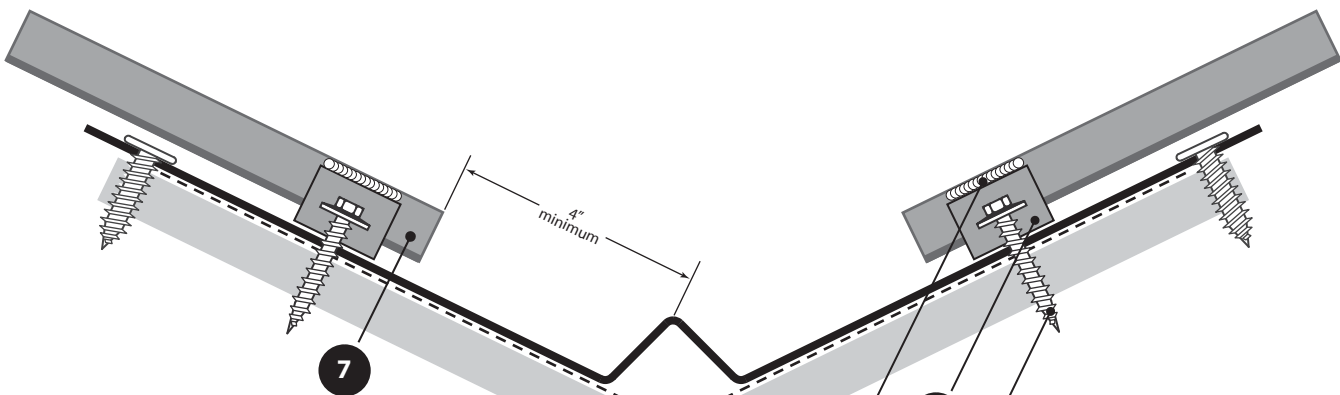


Roof Substrate — 1
Install the roof substrate according to local building code requirements.

Moisture Barrier — 2
Install moisture barrier according to the manufacturer's recommended procedure and in compliance with local building code requirements.

Preformed Valley Trim — 3
Install the Valley trim and overlap the ends 4". See lapping diagram in this manual.

Trim Pancake Screw — 4
Fasten trim with Pancake Screws spaced 12" apart along the length of the trim. See lapping diagram fastener pattern in this manual.



Panel — 7
Install the panel a minimum of 3" up from the water diverter at the bottom of the Valley and minimum of 3" down from the top of the Valley. See panel squaring method in this manual.

Tube Sealant — 5
Apply Optional Tube Sealant to the top side of the Closure.

Expanding Closure — 6
Place Expanding Closure, parallel to each side of the Valley center water diverter. Closure should be up from the panel end about 1". See panel minimum set back above.

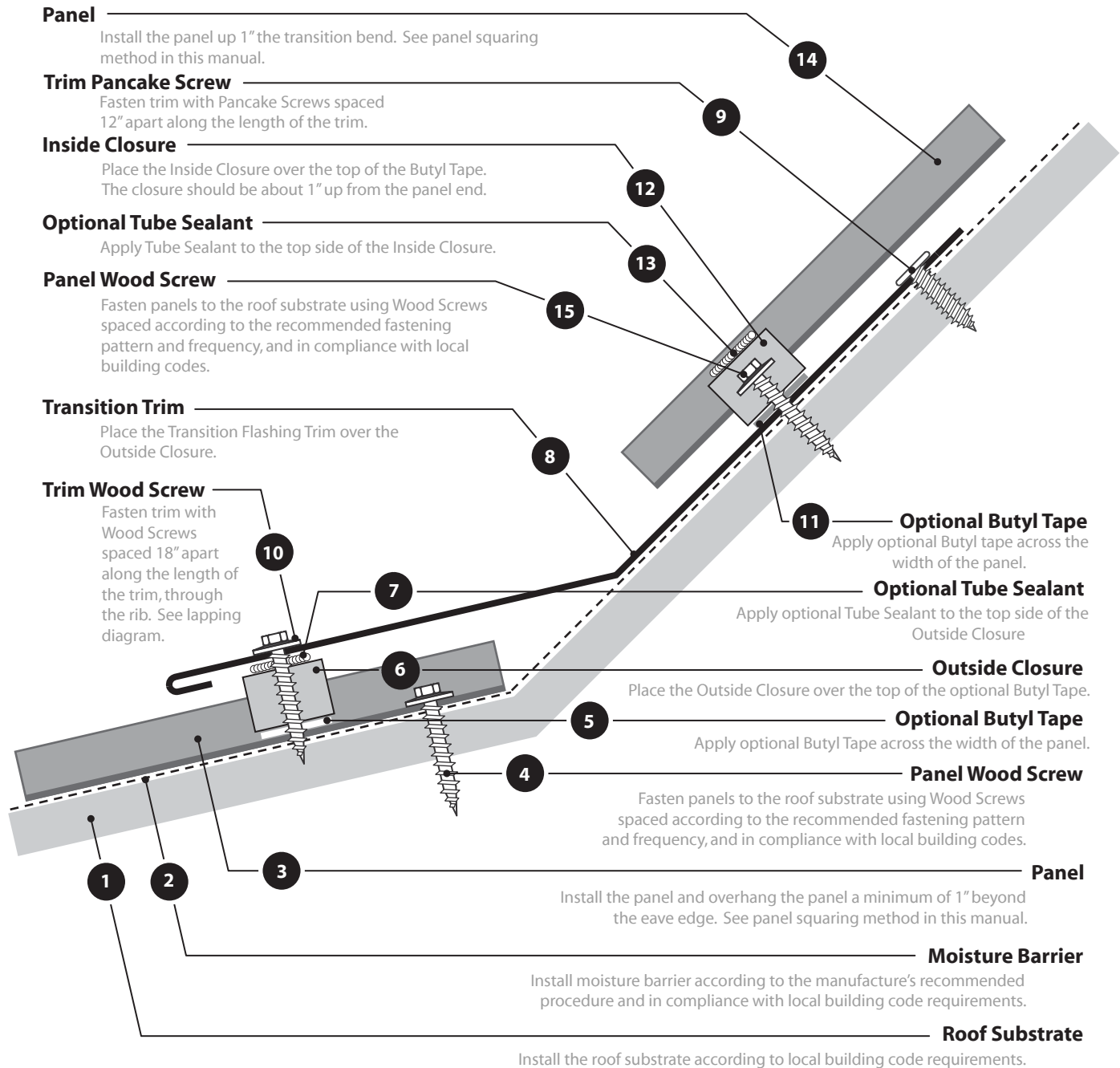
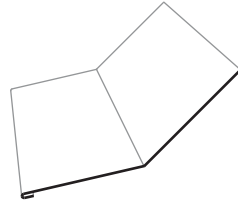
Panel Wood Screw — 8

Notes:

- 1. See Valley Lapping - Page 25
- 2. See Valley Cutting - Page 26

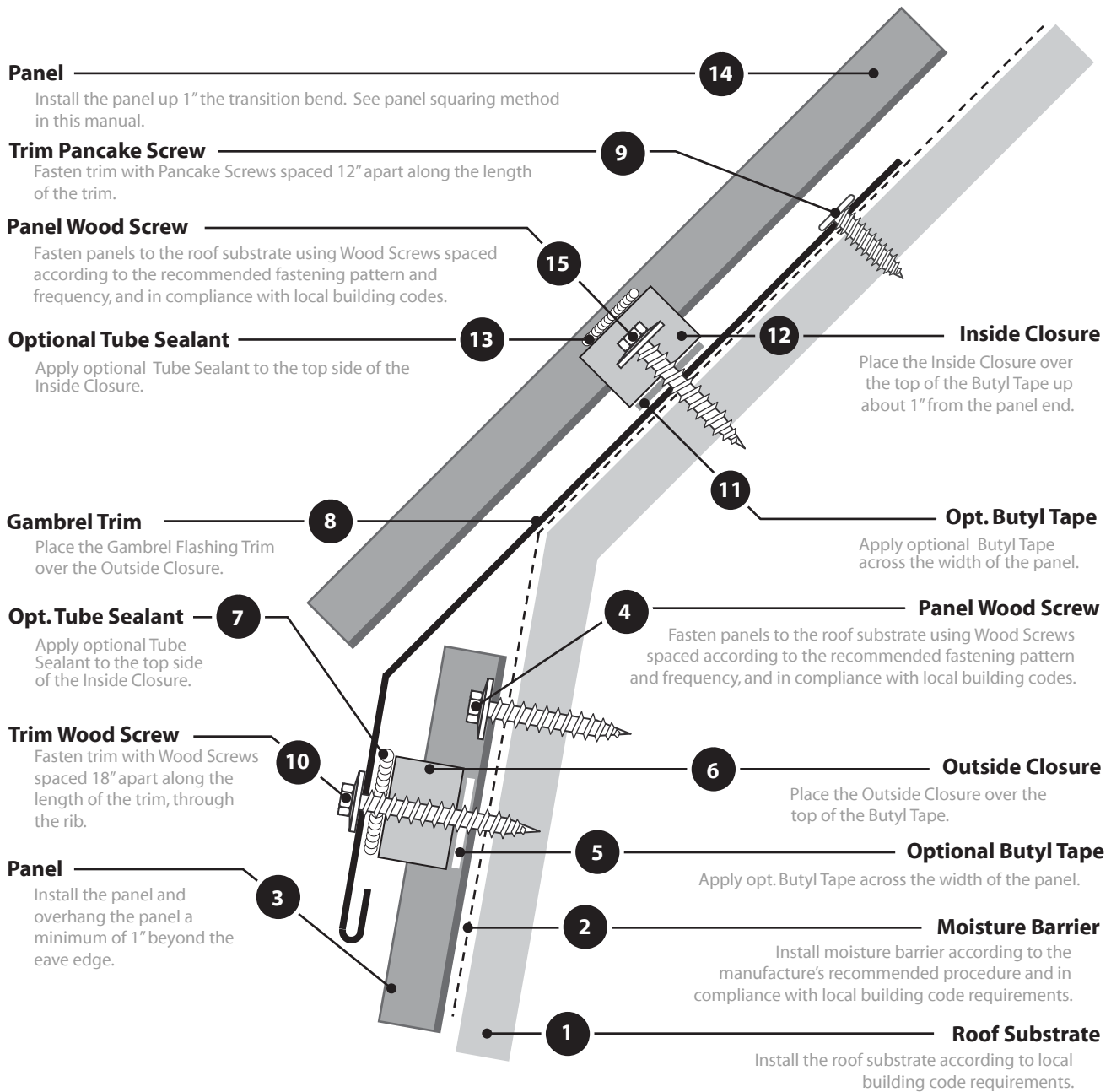
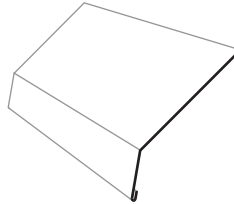
Transition

Numbers indicate suggested trim assembly sequence.



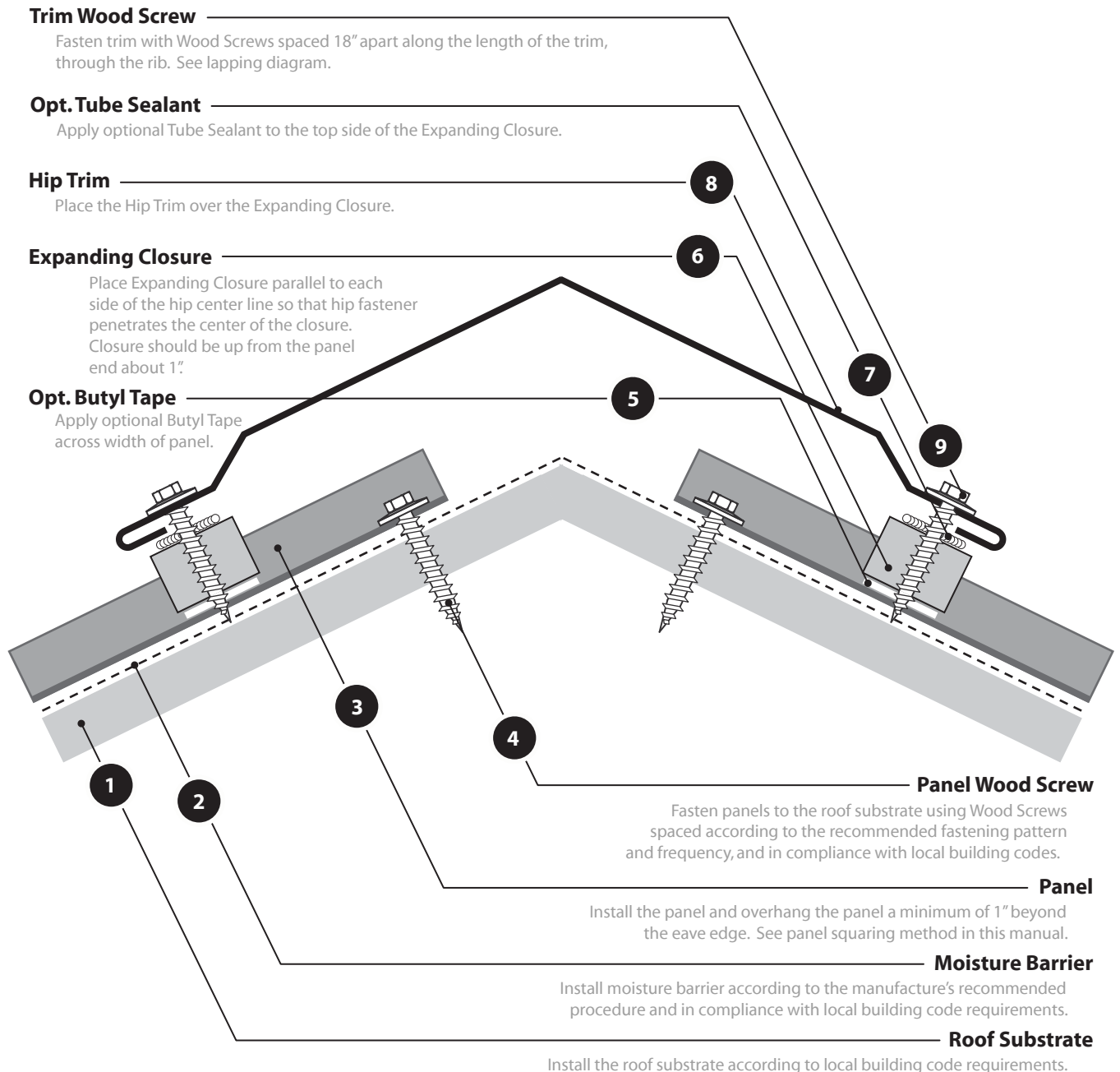
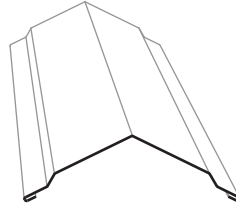
Gambrel

Numbers indicate suggested trim assembly sequence.



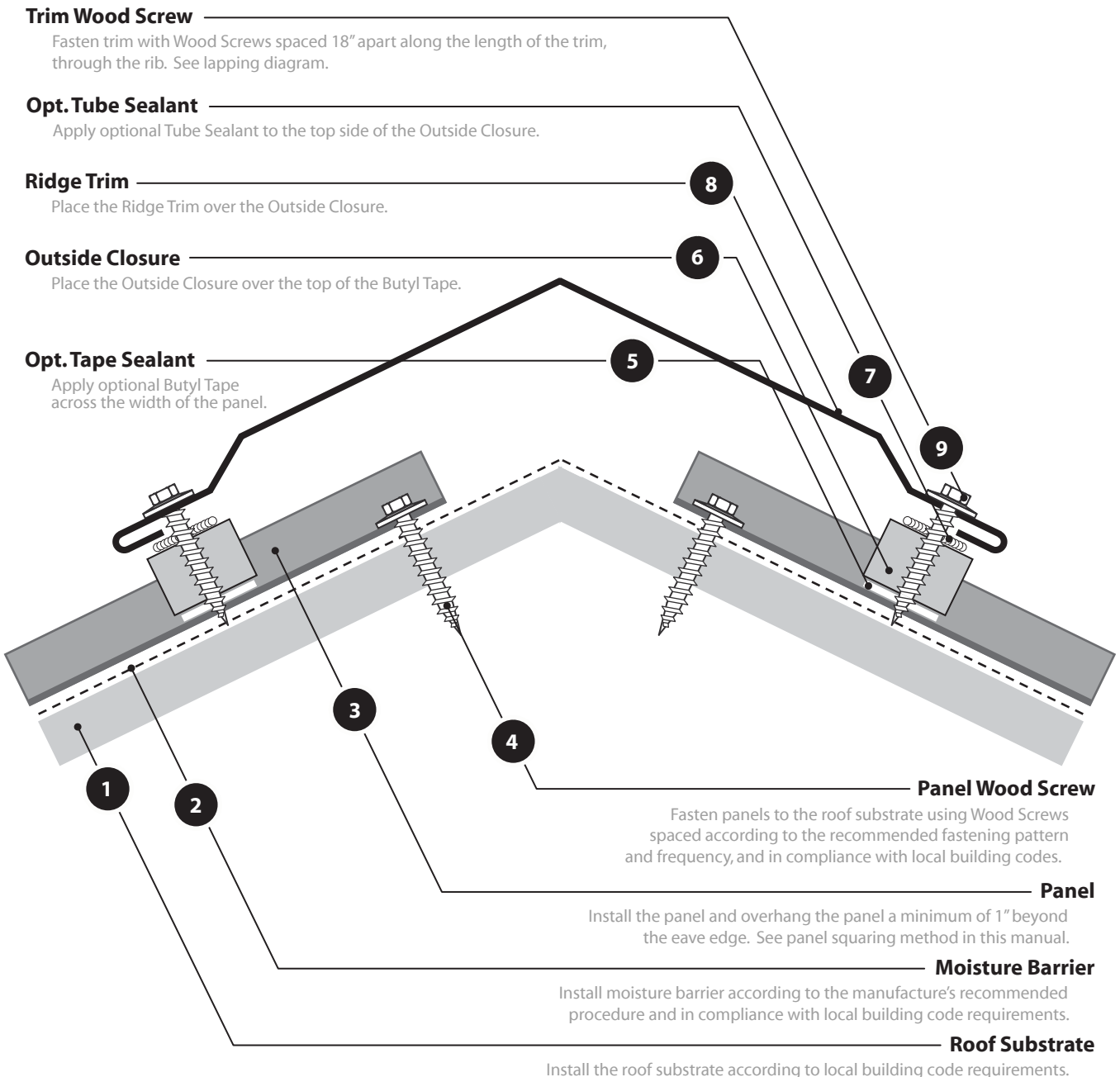
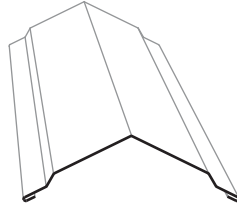
Hip

Numbers indicate suggested trim assembly sequence.



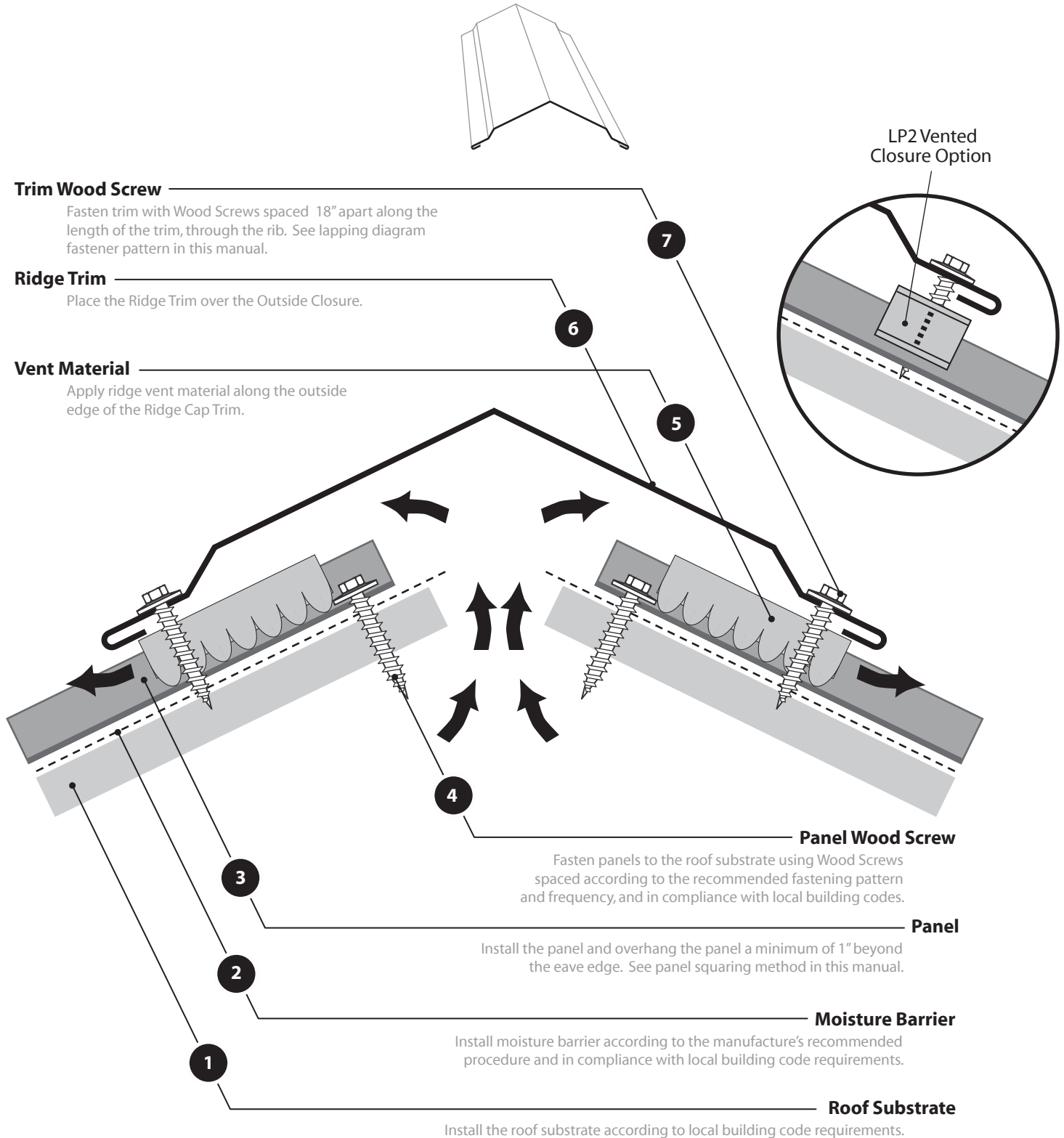
Ridge

Numbers indicate suggested trim assembly sequence.



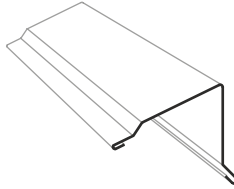
Vented Ridge

Numbers indicate suggested trim assembly sequence.



High Side Peak

Numbers indicate suggested trim assembly sequence.



Trim Wood Screw ————— 10

Fasten trim with Wood Screws spaced 2' apart along the length of the trim. See lapping diagram.

High Side Peak Trim ————— 8

Place the High Side Peak Trim over the Outside Closure.

Trim Wood Screw ————— 9

Fasten trim with Wood Screws spaced 18" apart along the length of the trim, through the rib. See lapping diagram.

Opt. Tube Sealant ————— 7

Apply optional Tube Sealant to the top side of the Inside Closure.

Outside Closure ————— 6

Place the Outside Closure over the tip of the optional Butyl Tape.

Panel ————— 3

Install the panel and overhang the panel a minimum of 1" beyond the eave edge. See panel squaring method in this manual.

Opt. Butyl Tape ————— 4

Apply optional Butyl Tape across the width of the panel.

Panel Wood Screw ————— 5

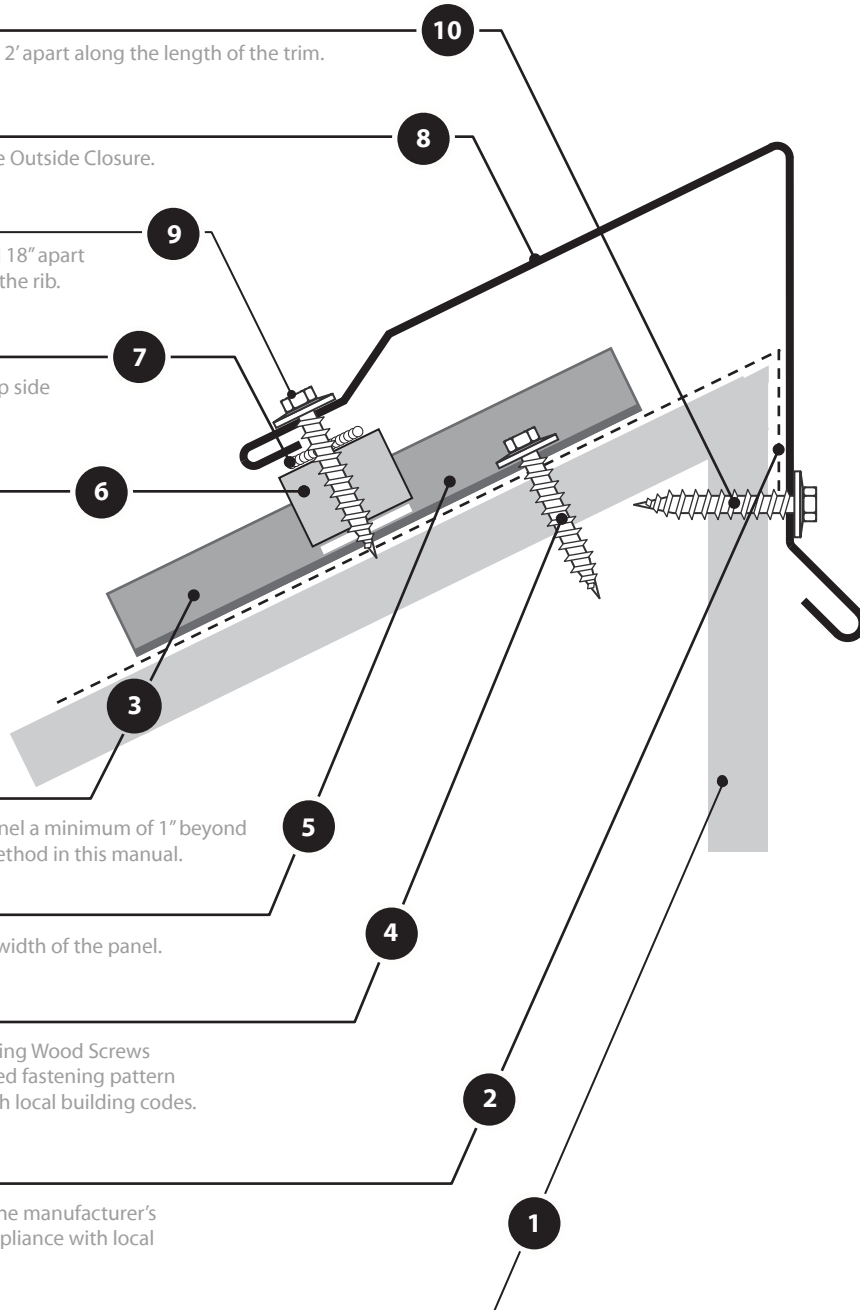
Fasten panels to the roof substrate using Wood Screws spaced according to the recommended fastening pattern and frequency, and in compliance with local building codes.

Moisture Barrier ————— 2

Install moisture barrier according to the manufacturer's recommended procedure and in compliance with local building code requirements.

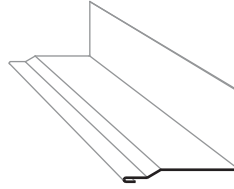
Roof Substrate ————— 1

Install the roof substrate according to local building code requirements.



Side Wall

Numbers indicate suggested trim assembly sequence.



Tube Sealant

Apply Tube Sealant continuously along the Counter Flashing and generously filling the space between the flashing and the wall. Round or slope the Sealant top so that water will run off.

Trim Wood Screw

Fasten trim with Wood Screws spaced 2' apart along the length of the trim. If wall material is not wood, fasteners will be by others.

Counter Flashing

Position the Counter Flashing above the Side Wall Trim as shown. Some applications may not need counter flashing.

Side Wall Trim

Place the Side Wall Trim over the Butyl tape and overlap the ends 4". See lapping diagram in this manual.

Roof Substrate

Install the roof substrate according to local building code requirements.

Butyl Tape

Apply Butyl Tape along the length of the panel.

Trim Wood Screw

Fasten trim with Wood Screws spaced 2' apart along the length of the trim. See lapping diagram.

Panel Wood Screw

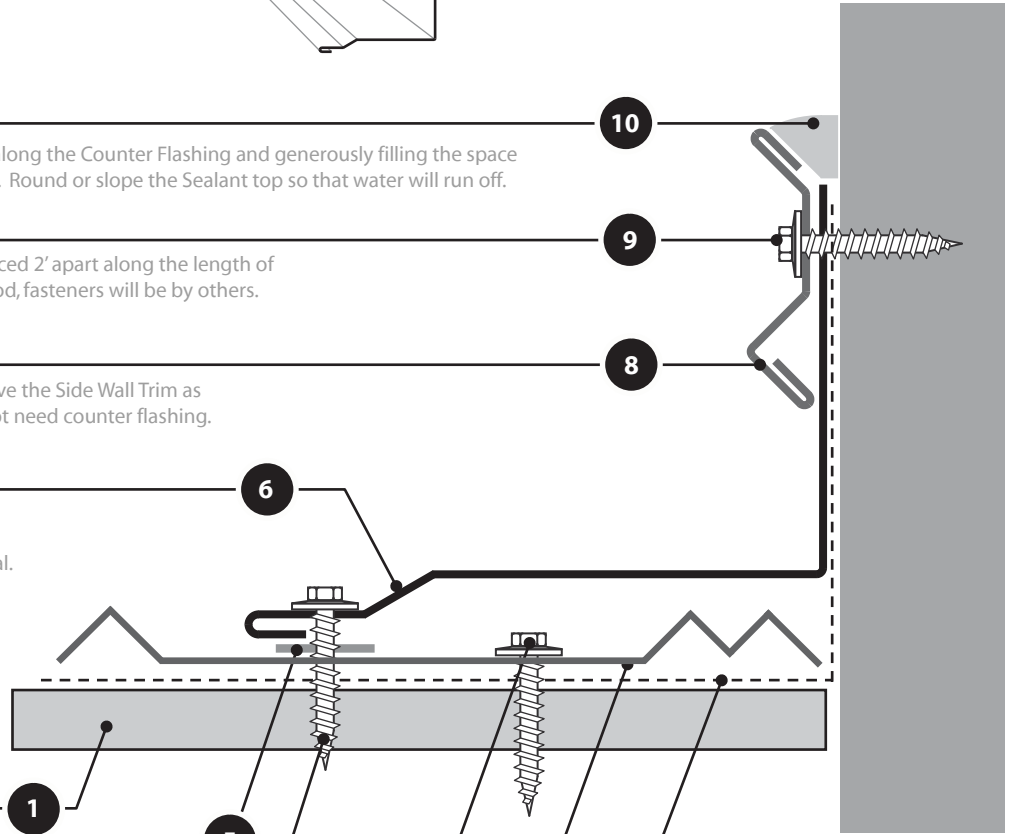
Fasten panels to the roof substrate using Wood Screws spaced according to the recommended fastening pattern and frequency, and in compliance with local building codes.

Panel

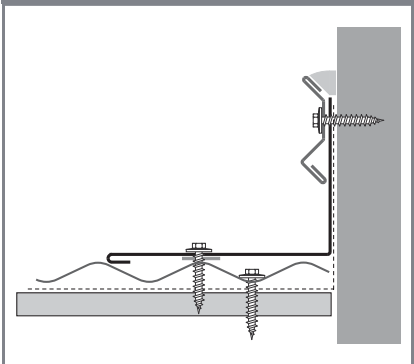
Install the panel and overhang the panel a minimum of 1" beyond the eave edge. See panel squaring method in this manual.

Moisture Barrier

Install moisture barrier according to the manufacturer's recommended procedure and in compliance with local building code requirements.

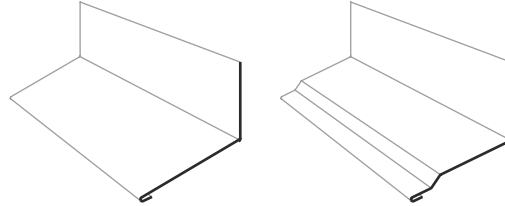


Corrugated - Flat Sidewall Option



End Wall

Numbers indicate suggested trim assembly sequence.



Tube Sealant

Apply Tube Sealant continuously along the Counter Flashing and generously filling the space between the flashing and the wall. Round or slope the Sealant top so that water will run off.

Trim Wood Screw

Fasten trim with Wood Screws spaced 2' apart along the length of the trim. If wall material is not wood, fasteners will be by others.

Counter Flashing

Position the Counter Flashing above the Side Wall Trim as shown. Some applications may not need counter flashing.

End Wall Trim

Place the End Wall Trim over the Butyl tape and overlap the ends 4". See lapping diagram in this manual.

Outside Closure

Place the Outside Closure over the top of the Butyl Tape.

Tube Sealant

Apply Tube Sealant along the length of the Outside Closure.

Trim Wood Screw

Fasten trim with Wood Screws spaced 18" apart along the length of the trim, through the rib. See lapping diagram.

Panel

Install the panel and overhang the panel a minimum of 1" beyond the eave edge. See panel squaring method in this manual.

Moisture Barrier

Install moisture barrier according to the manufacturer's recommended procedure.

Roof Substrate

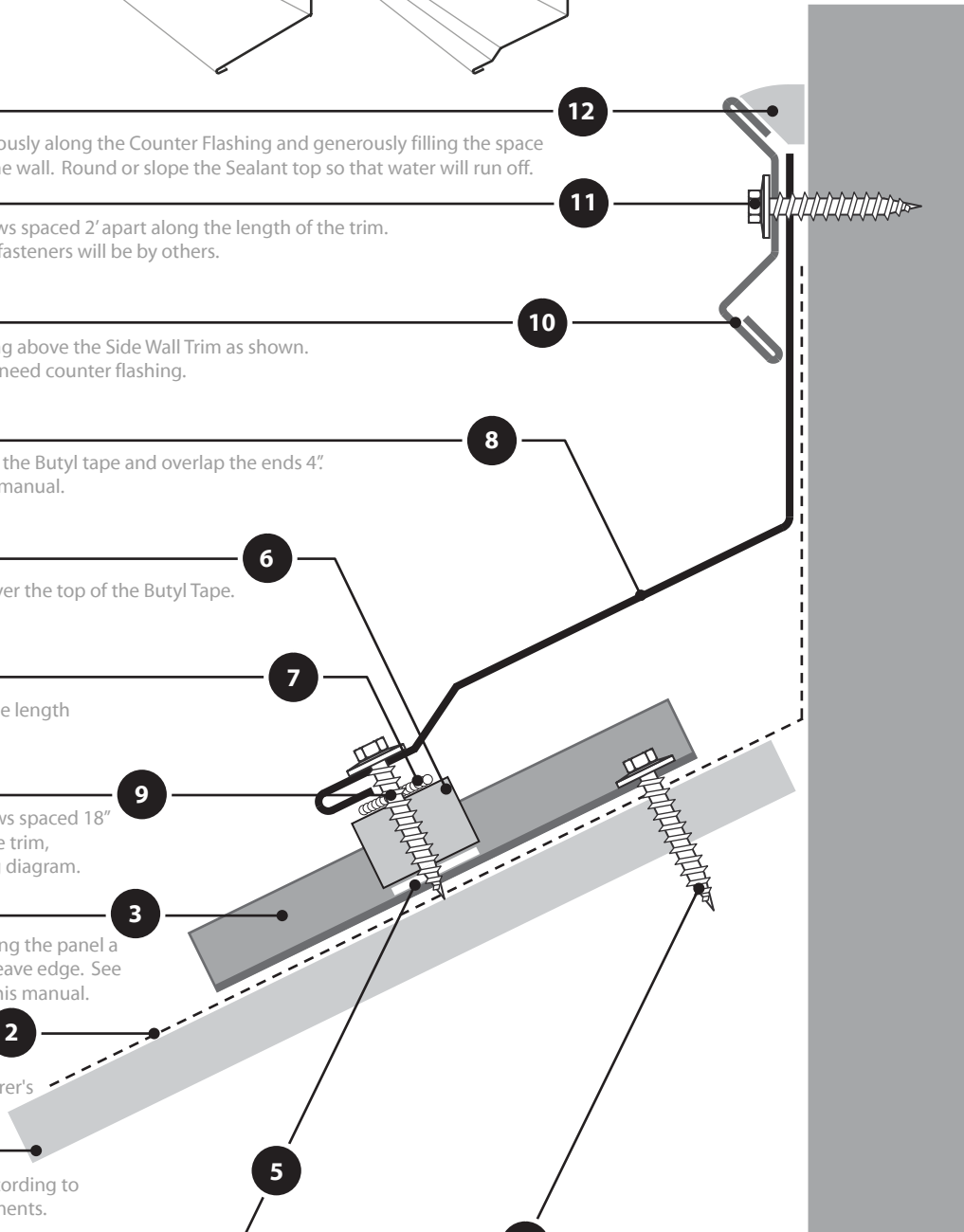
Install the roof substrate according to local building code requirements.

Butyl Tape

Apply Butyl Tape along the length of the panel.

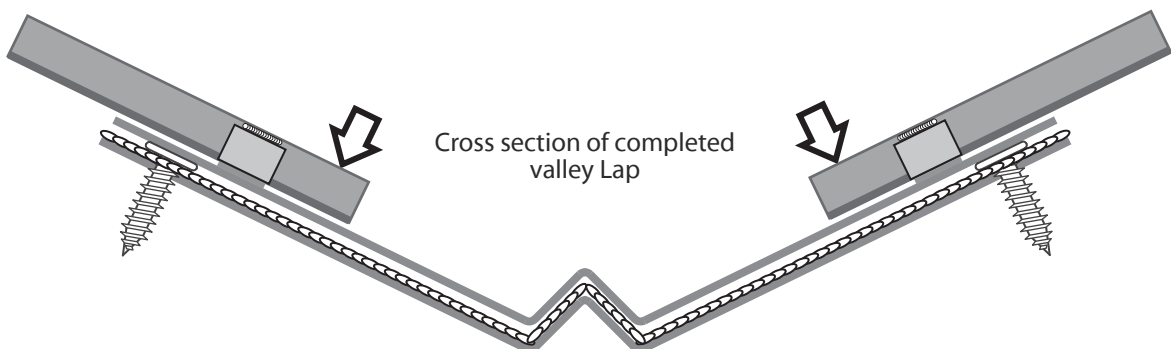
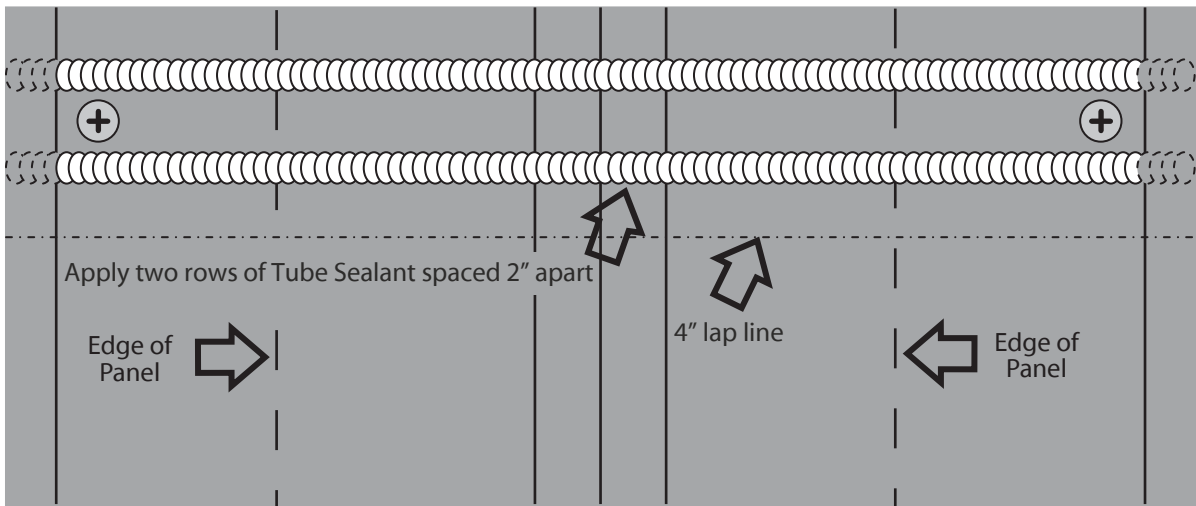
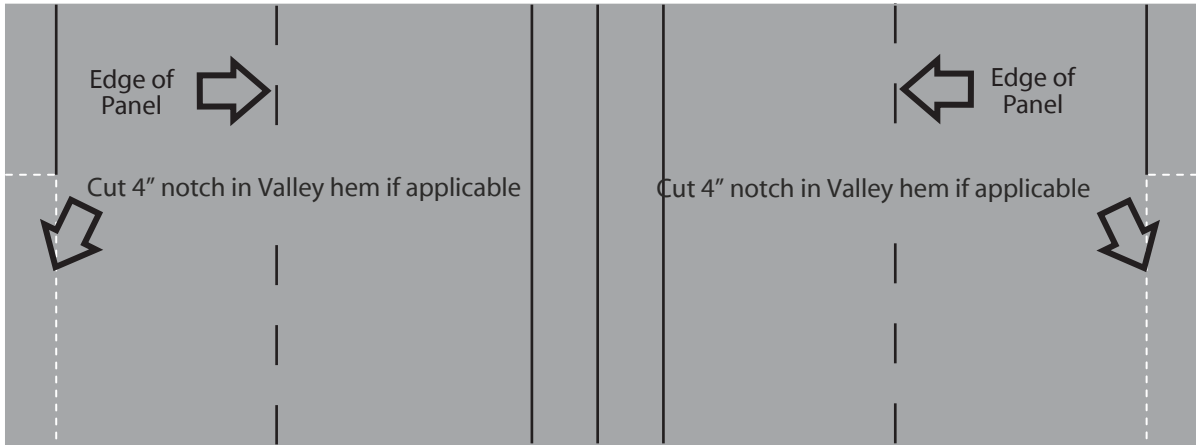
Panel Wood Screw

Fasten panels to the roof substrate using Wood Screws spaced according to the recommended fastening pattern and frequency, and in compliance with local building codes.



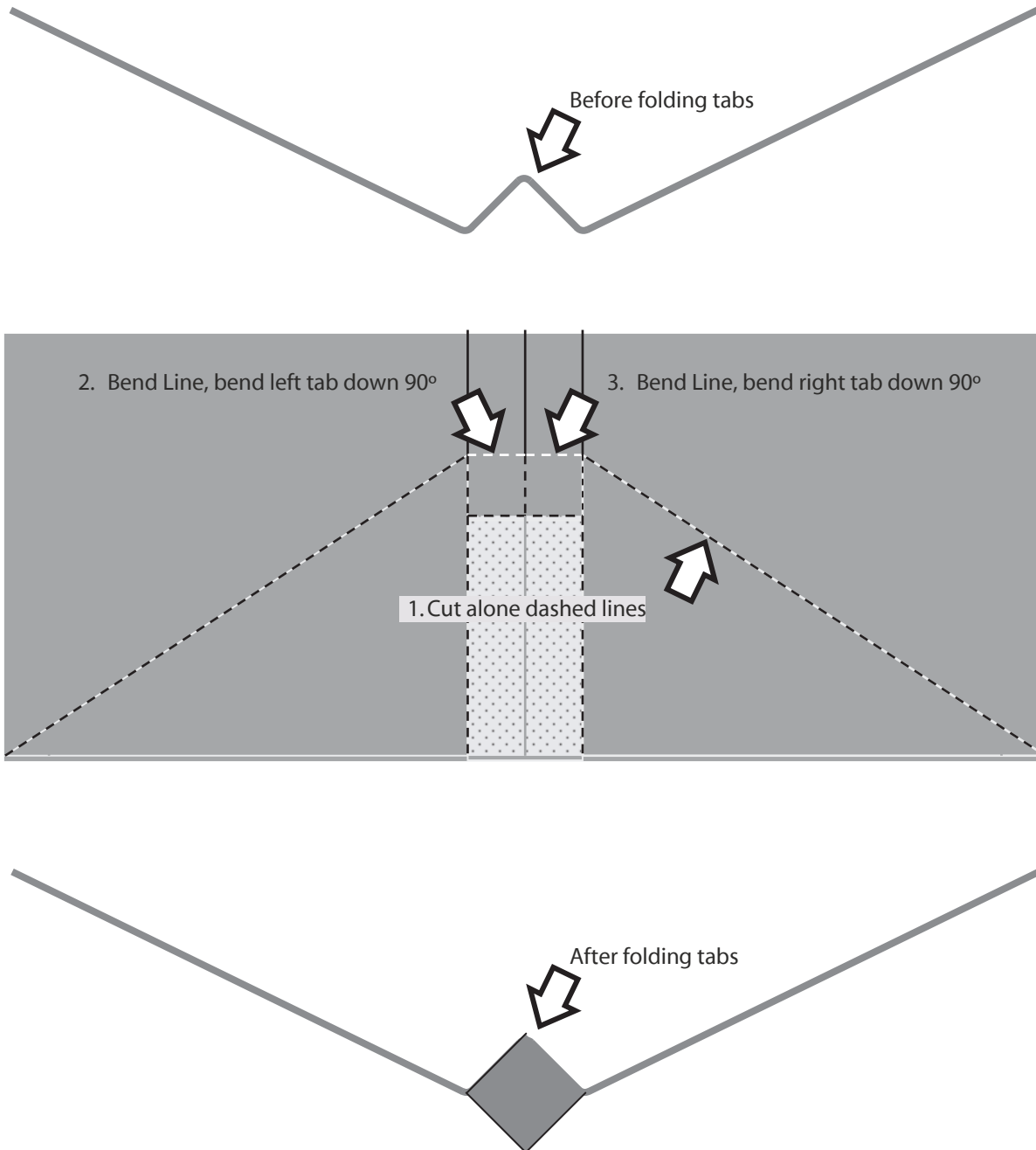
Valley Lapping

↓ After cutting notches and applying Tube Sealant, slide the up slope valley into the hem groove (if applicable) while lapping over the top of the low slope valley 4". ↓

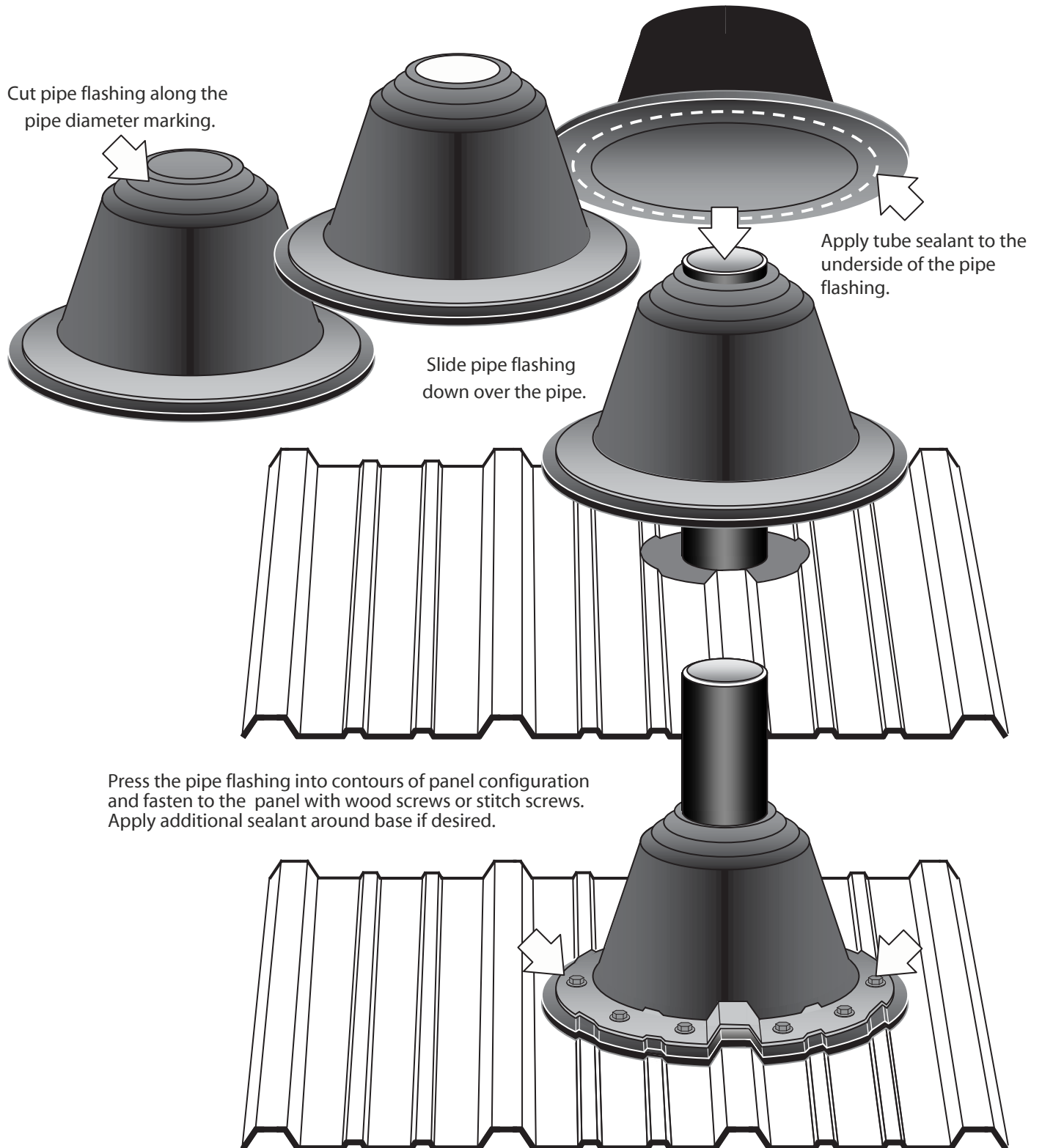


Valley Cutting at Eave

Valley starter cutting diagram with water diverter tabs.



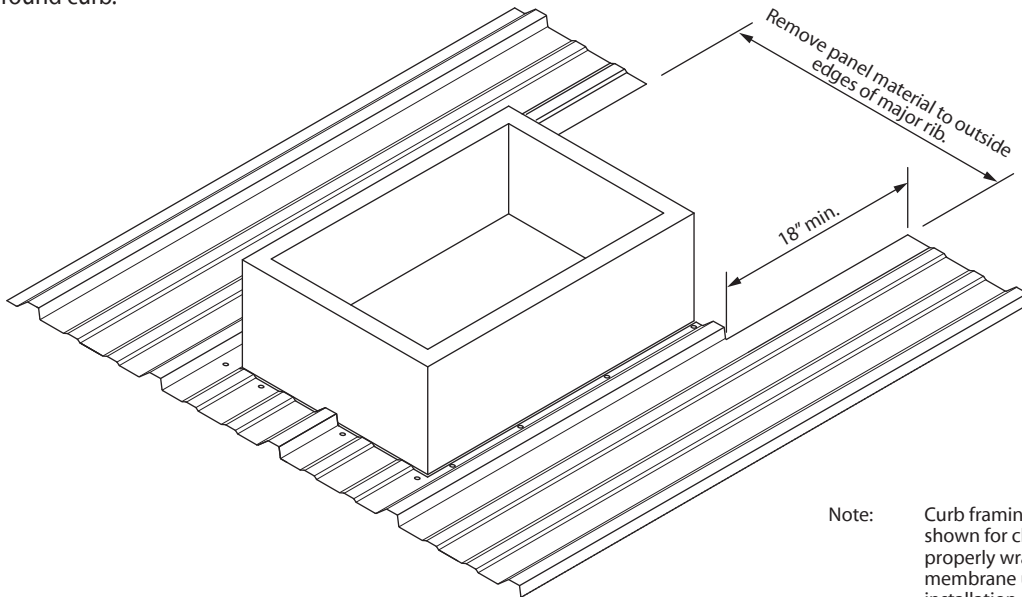
Pipe Flashing



CURB DETAIL (Chimneys & Skylights)

STEP 1

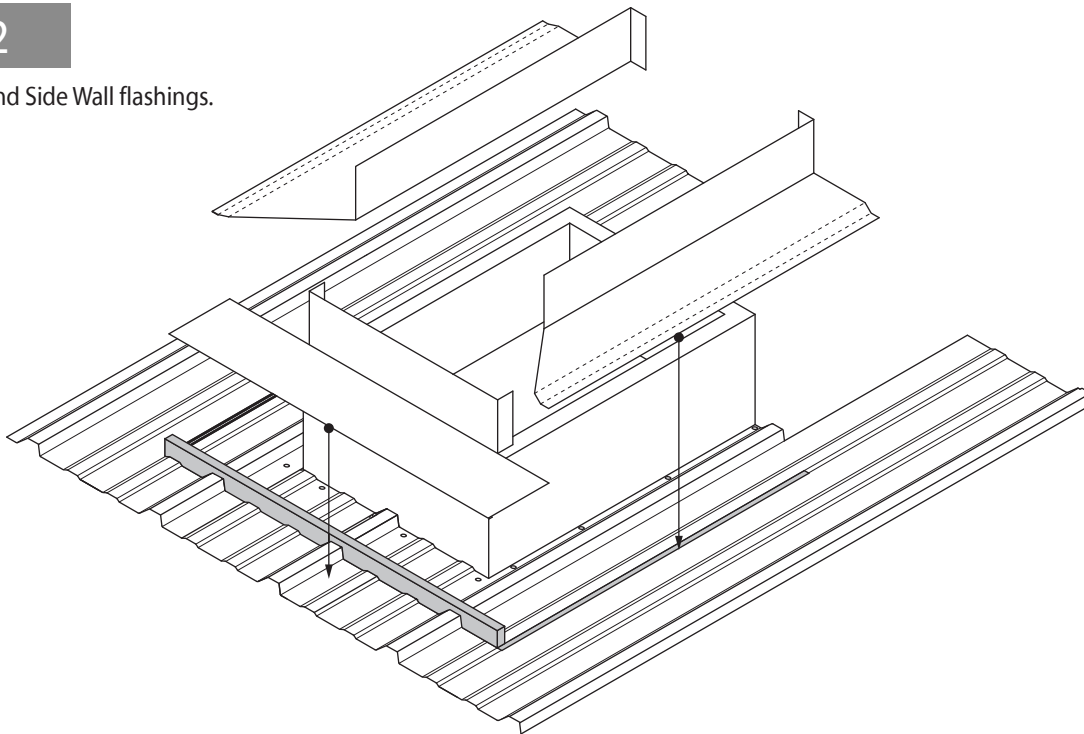
Install panels around curb.



Note: Curb framing and underlayment not shown for clarity. Curb must be properly wrapped with approved membrane underlayment prior to installation of panels/flashings.

STEP 2

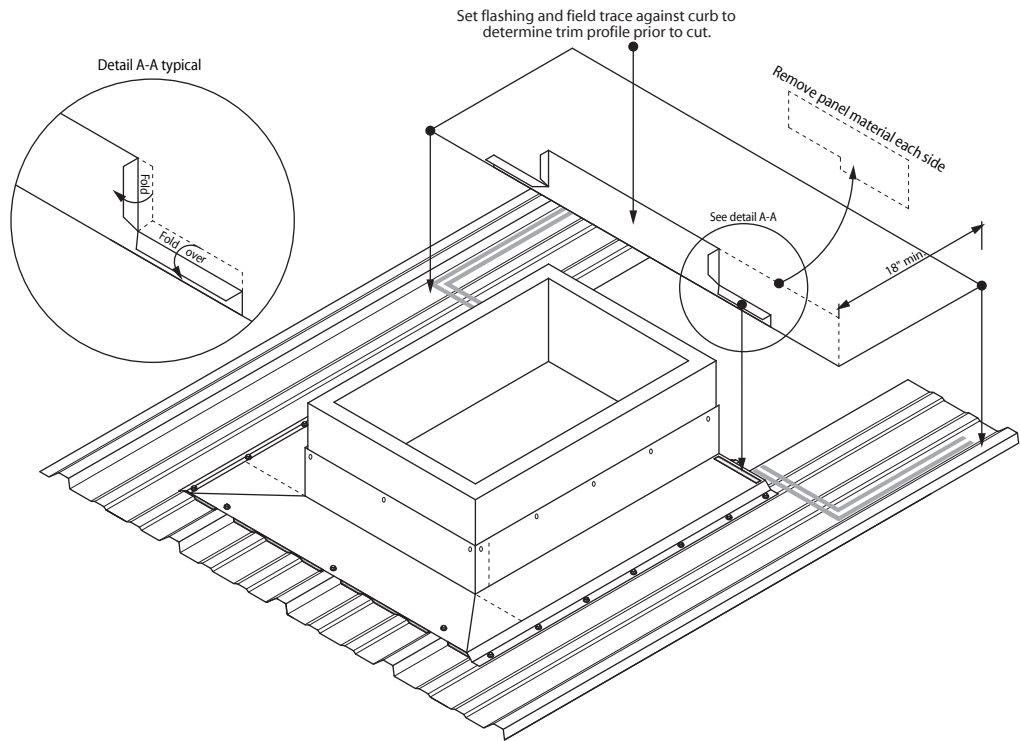
Apply End Wall and Side Wall flashings.



CURB DETAIL (Chimneys & Skylights) (cont.)

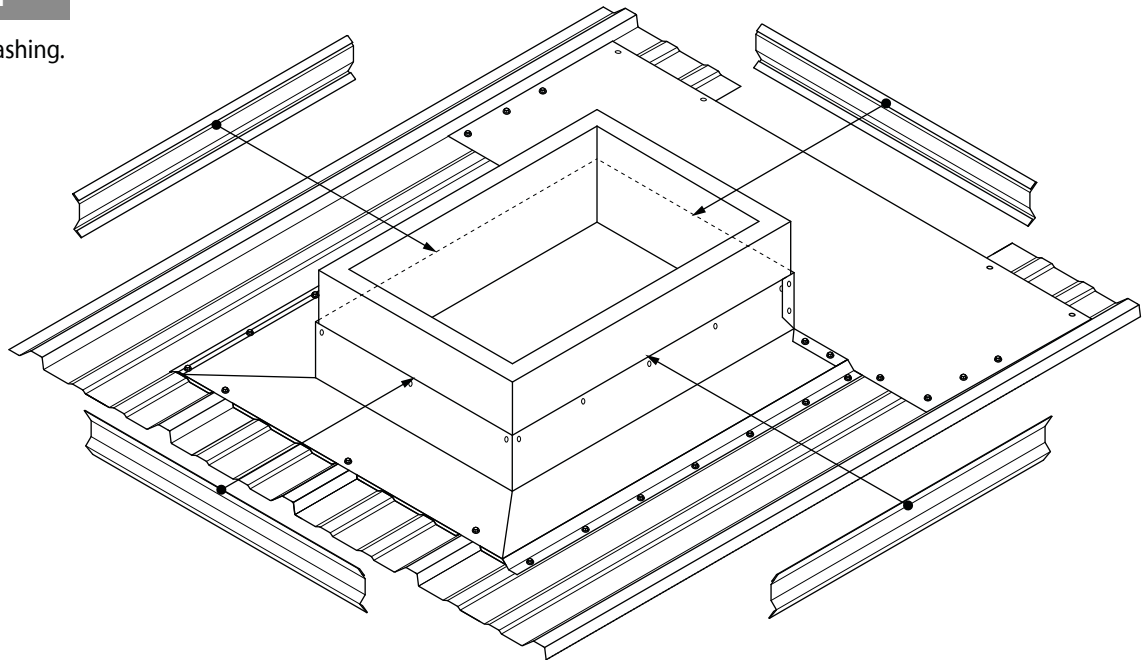
STEP 3

Install low wall flashing.



STEP 4

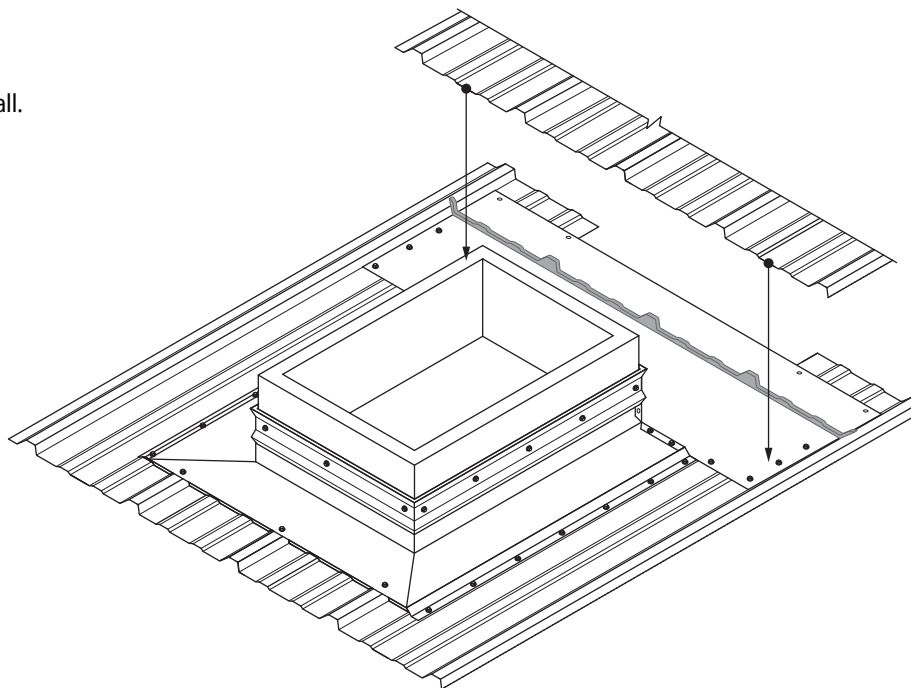
Install Counter Flashing.



CURB DETAIL (Chimneys & Skylights) (cont.)

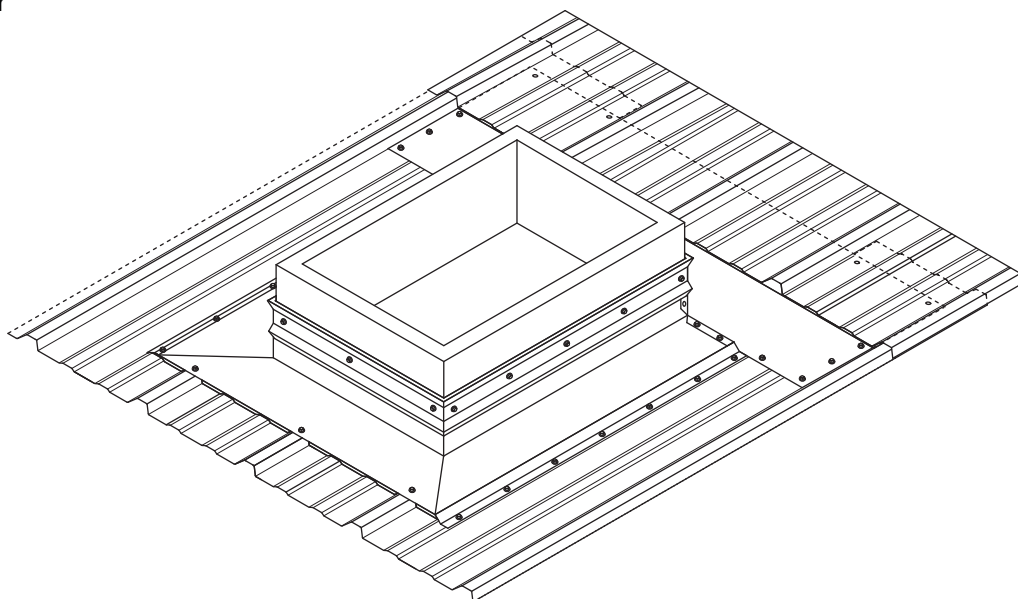
STEP 5

Install foam closure and prepare for upper panel install.



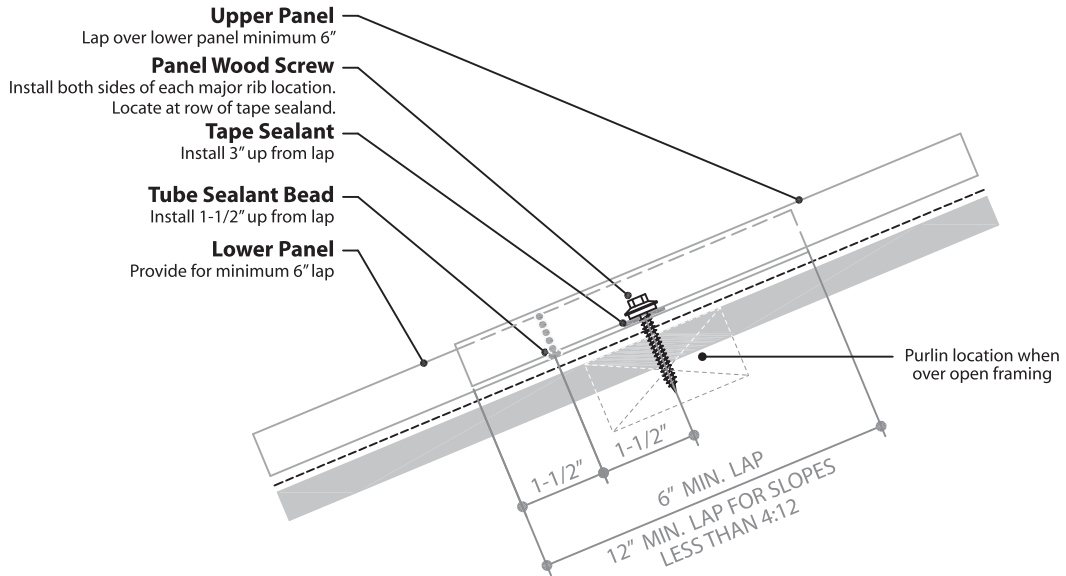
STEP 6

Fasten upper panel over Low Wall flashing.



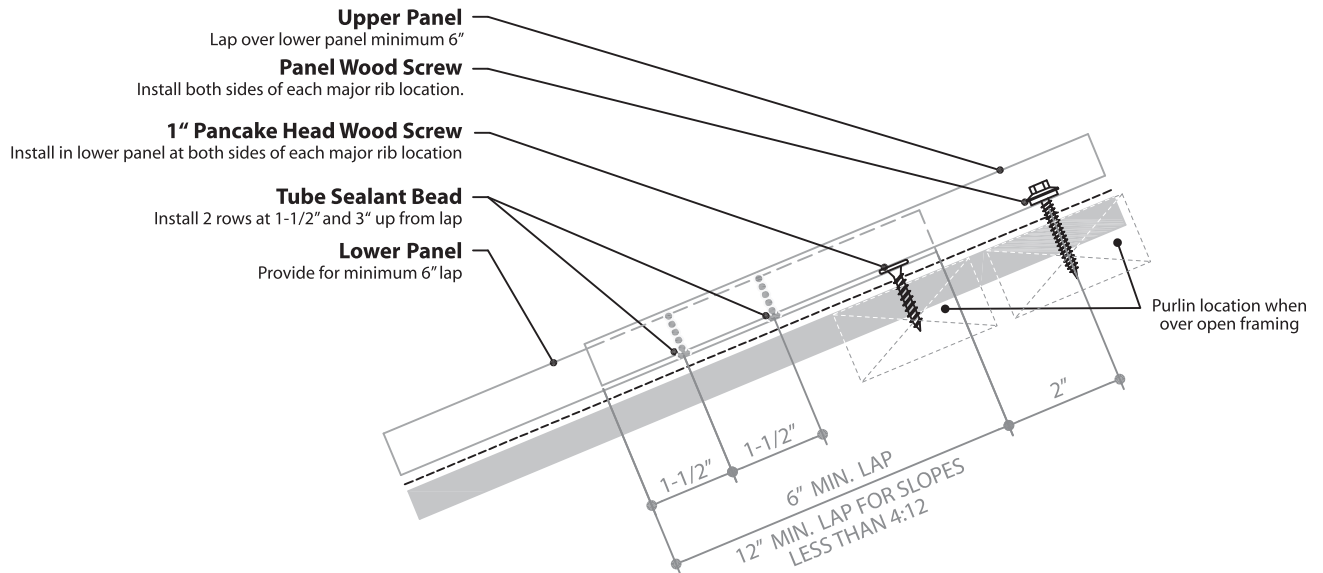
PANEL ENDLAP DETAIL (Short Run)

Use when total panel run is less than 35 feet



PANEL ENDLAP DETAIL (Long Run)

Use when total panel run is 35 feet or greater





Metal Roofing, Nationwide

800-728-4010
bestbuymetals.com